



**ENTREX DOOR
CONTROLS INC.**

DOOR CONTROLS INC.

1495 Bonhill Rd., Unit 14,

Mississauga, ON L5T 1M2

Tel: 905-565-1455 Fax: 905-564-3378

#EV-200

CARD READER

QUANTITY = 1



MADE IN U.S.A

General Description

The Entrex Mdl. EV-200 Card Reader is a durable Exterior stand - alone type Card Reader. The EV-200 is activated by *inserting then removing*, a magnetic stripe encoded plastic credit card into the reader. The EV-200 detects the encoded track 2 and energizes the output relay. The contact closure can be used to release an electric strike, or signal our mdl. #ESP-12 Automatic Door Interface relay. (The output is N.O. as standard, but can be configured to be N.C.)

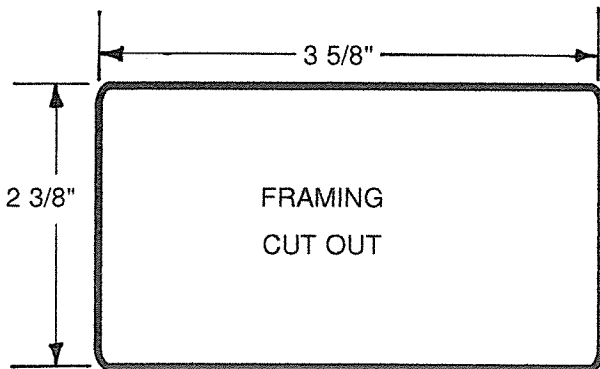
This Card Reader does not determine whether the encoding is correct, nor does it decode the data on the stripe. It simply detects the *presence* of the data!

Installation

The EV-200 has been designed to fit in a standard duplex electrical box. The unit includes an integral bezel for this purpose.

Alternatively, the unit could be mounted into Aluminum framing material or, the door itself (provided a suitable back box is constructed).

The minimum cutout required is:



Additional dimensions and connection diagram are on the reverse side.

Connection Chart

Terminal #	Function	ESP-12 Terminal
TS3.....	N.O. Contact.....	7
TS4.....	Common.....	8
TS1.....	12-24VAC	
TS2.....	12-24VAC	

Specifications

Model.....	EV-200
Material.....	Glass filled lexan.
Dimensions.....	5 1/2" H x 5" W x 2 1/16" D
Encoding.....	Standard Track 2 (ANSI)
Card Speed.....	2 - 120 ips @75 BPI.
Power Required.....	12-24 VAC
Current draw.....	100ma
Mounting.....	Fits standard duplex outlet box with four #6-32 M.S.
Temperature Rating.....	-20° C to +50° C
Cable Type.....	4 Conductors, stranded.
Maximum Cable Lengths:	

Cable Size	Maximum Distance
24 AWG (No. 5).....	100' (30m)
22 AWG (No. 6).....	200' (60m)
20 AWG (No. 8).....	300' (90m)
18 AWG (No. 10).....	500' (150m)

Warranty

Entrex International Ltd. guarantees the EV-200 to be free from manufacturing defects for 24 months from date of sale. If during the first 24 months the EV-200 fails to perform correctly, it may be returned prepaid to our factory where it will be repaired or replaced (at our discretion) without charge. Except as stated herein, Entrex extends no warranties expressed or implied regarding function, performance or service.

CONNECTION DIAGRAM

