

CV-550SPK V3

Waterproof Keypad/Reader/Controller

INSTALLATION INSTRUCTIONS



THIS PACKAGE INCLUDES:

- (1) Keypad CV-550SPK V3
- (1) User Manual
- (1) Screw driver
- (4) Wall plugs
(6 x 27 mm, used for mounting)
- (4) Self tapping screws
(3.5 x 27 mm, used for mounting)
- (2) 6-32x1" Pan head machine screws to mount to single gang switch box.

1. DESCRIPTION

The CV-550SPK V3 is a back-lit single door multifunction standalone access control keypad with a Wiegand input/output interface. It is suitable for mounting either indoors or outdoors in harsh environments. It is housed in a strong, sturdy and vandal proof Zinc Alloy electroplated case. The supplied shield will provide greater visibility of the illuminated status LED'S as well as keeping weather elements off of the face of the keypad. The electronics are fully potted so the CV-550SPK V3 is waterproof and conforms to IP68.

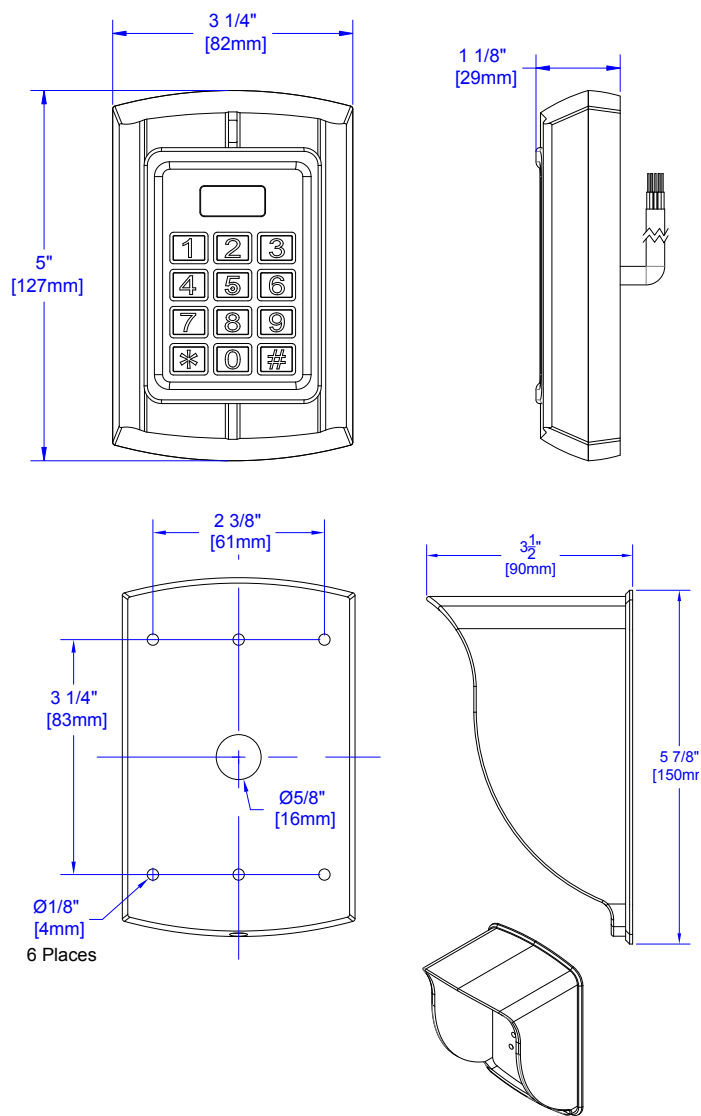
The CV-550SPK V3 supports up to 20,000 users in either a Card, 4-to-6-digit PIN, or a Card + PIN option. The built-in card reader supports 125KHZ HID 26/34/37-bit cards/tags, as well as the EM format. The PIN output data can be configured for either 26 bit, 4-bit or 8-bit burst modes making it compatible with most Access systems.

These features make the CV-550SPK V3 an ideal choice for door access for commercial and industrial applications such as factories, offices, warehouses, laboratories, banks, and prisons.

2. SPECIFICATIONS

Input Power	10 - 28V AC/DC
Standby Current	35mA (Input VDC12V)
Operating Current:	100mA (Input VDC12V)
Working Humidity	0-95%
Working Temperature	-40°C - 60°C (-40F - 140F)
Alarm Output (Digital)	1A @ 30VDC
Lock Relay	1A @ 30VDC
Read Range	5 cm
Users	20,000
Reader Format	HID/ EM
Reader Bit Pattern	8 Bit Burst, 26, 34 or 37 bit
Keypad Format	26 bit standard, 4 bit or 8 bit burst
IP Rating	68

3. DIMENSIONS



Note: When the keypad is idle the LED is solid RED. In programming mode, the LED is flashing RED. The Master code for programming must be changed to configure any part of the CV-550SPK and its parameters. All changes must be done within programming mode.

CV-550SPK V3 WATERPROOF KEYPAD

INSTALLATION INSTRUCTIONS

Enter Programming Mode	Press the star (*) key for 2 seconds until it beeps then press 8 8 8 8 8 8 # . The LED will now be flashing Red.
Exit Programming Mode	Press the star key (*) to get a solid Red LED.
Change Admin Password	00 New 6-digit code #, New 6-digit code # (must be 6 digits). The keypad cannot be configured until the Master Code has been changed from its default to any other 6-digit PIN.
Default Master Code	Power up while holding the * key . The LED will turn orange and you will hear a double beep. This will only default the Master Code for programming. All other data will not be affected.
Restore Configuration to Factory Defaults	For assistance call the Camden Technical Support line at 1-905-366-3377 .
Delete All Users Card/PIN Data	Press 20 0000 # Deletes All User Card/PIN data.
Stand-Alone Operation (All Card/PIN Data stored in the CV-550SPK V3)	
Single Door Stand-Alone	03 1 # Stand-Alone Mode
ID#	This refers to the memory address of where the Card or PIN data is stored. It is not the PIN to unlock the door. Keep track of where data is stored to easily edit or delete any individual record.
Add a Card (Automatically Generates ID#)	10 Read Card # Multiple Entries 10 Read Card, Read Card, Read Card, Read Card #. This will increment the ID# (storage location) by one for each card added.
Add a Card or PIN (To a Specific ID#)	11 ID# (4-Digit PIN or Card) # Multiple Entries 11(ID) #, (User PIN or Card) #, (ID) #, (User PIN or Card) # This will allow you to pick a unique ID # (storage location) to add the card or PIN to.
Delete Card (by Reading)	21 Read Card Multiple Deletes 21 Read, Read, Read, #
Delete by ID# (Card or PIN)	22 ID# # Multiple Deletes 22 ID# #, ID# #, ID# #
Door Access Mode	30 0 # (Card Only) Users must only use a Card or Tag. 30 1 # (Card + PIN) Users must read their Card or Tag then type in their PIN then #. Note: Press * for 2 seconds (beep), read card press 1234#, New PIN then #, New PIN then #. 30 2 # (Card or PIN) Users can use either their Card, Tag or PIN number.
Unlock Duration	34 (1-999 seconds) #

Wiegand Out to Access System (Card/PIN stored in Access System)	
Reader Mode	Step 1) 03 0 # (Enables data lines to be connected to an Access Controller)
Facility Code	Step 2) 60 (0-255) # (Must match Access Controller)
Set D0 & D1 Output	Step 3) 61 0 # (Enables D0 & D1 Wiegand Output data format)
Set Output Bit Length	Step 4) 62 (26-66) # (Example of 26 bit: 62 26 #)
PIN Output (5 Digits)	Step 5) 64 4 # (1-5-digit key + # key buffered output)
Set 4/8 Bit Burst Output	Step 6) 64 (0, 2) # (0 = 4 bit burst, 2 = 8 bit burst, confirm with Access manufacturer)
Alarm Configuration (D.H.O/F.E.)	
Door Held Open (D.H.O.)	35 (0-99) # The set time starts once the door is unlocked, then it will generate the alarm if the door is not closed. Timing is in minutes. Closing the door resets the alarm.
Door Forced Open (F.E.) 40 (0-99) #	Door opened with no valid PIN or Card immediately triggers an alarm. Timing is in minutes. Master Programming Code resets alarm.

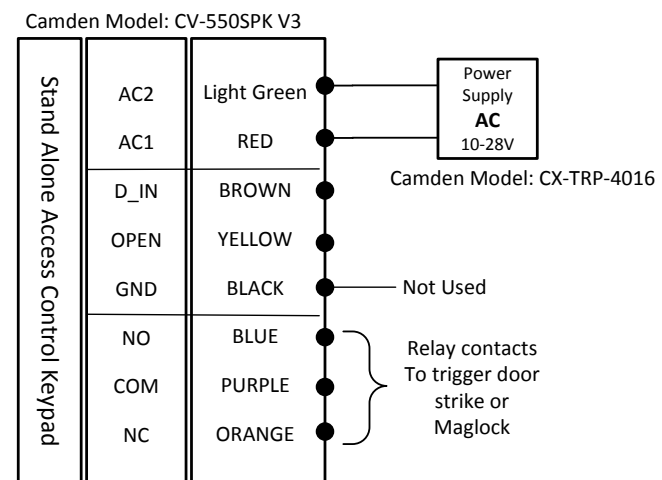
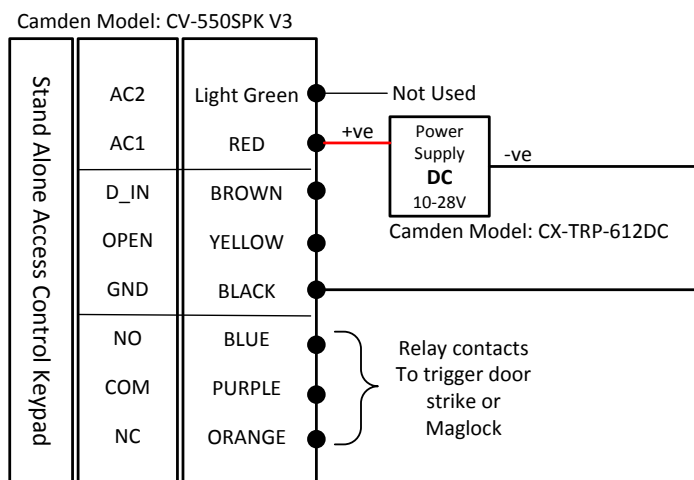
4. WIRING CONNECTIONS FOR DC OR AC POWER

The CV-550SPK V3 keypad can be powered by either DC or AC power within a range of 10V – 28V. When wiring for DC power use the red wire for positive and the black wire for ground. When wiring for AC power use the red wire (AC1) to one AC wire and light green wire (AC2) to the other AC wire.

Note: Confirm you are using the light green wire and not the dark green Data 0 wire.

Wiring for **DC** Power (AC1 & GND)

Wiring for **AC** Power (AC1 & AC2)

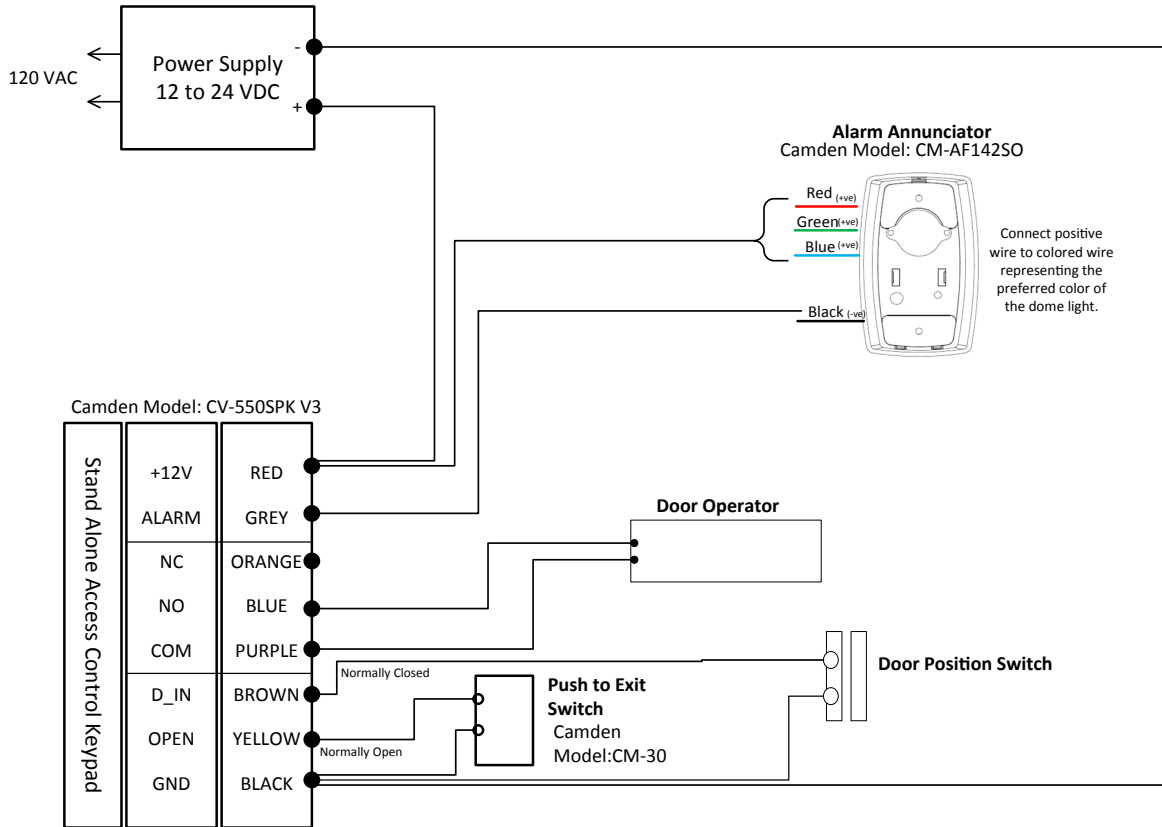


Note: Connect corresponding power as shown above to prevent damage to the keypad.

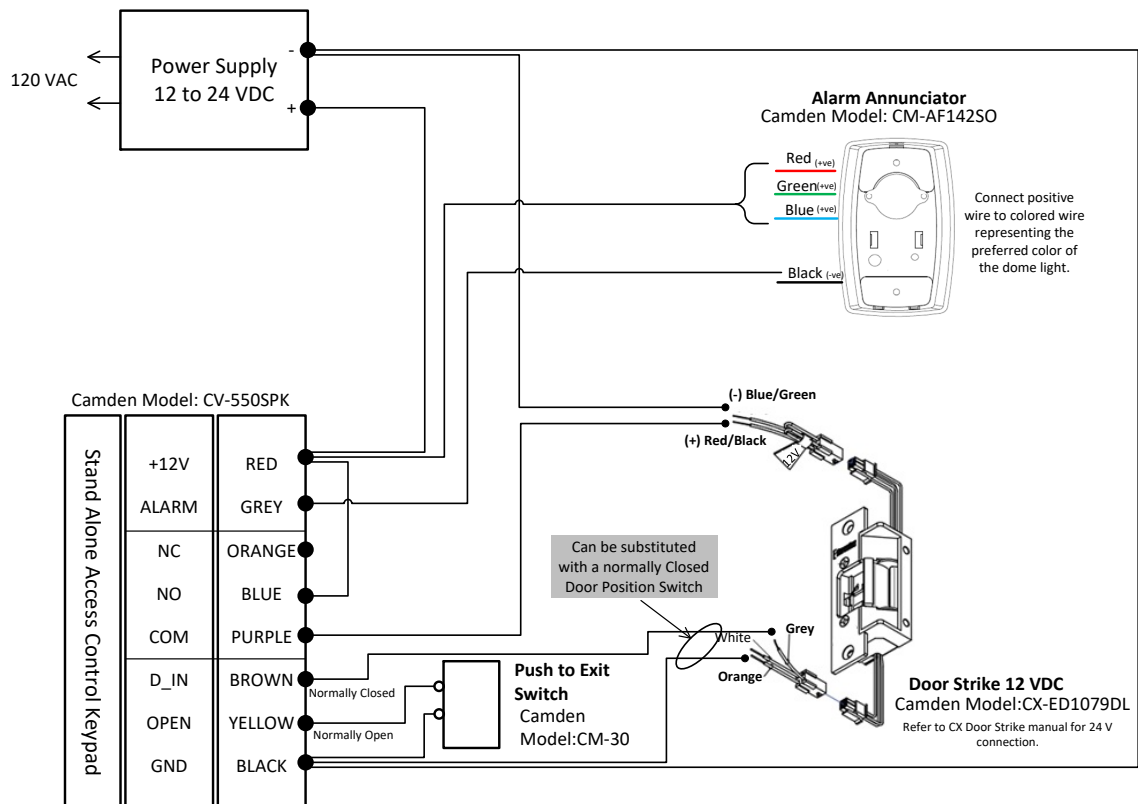
CV-550SPK V3 WATERPROOF KEYPAD

INSTALLATION INSTRUCTIONS

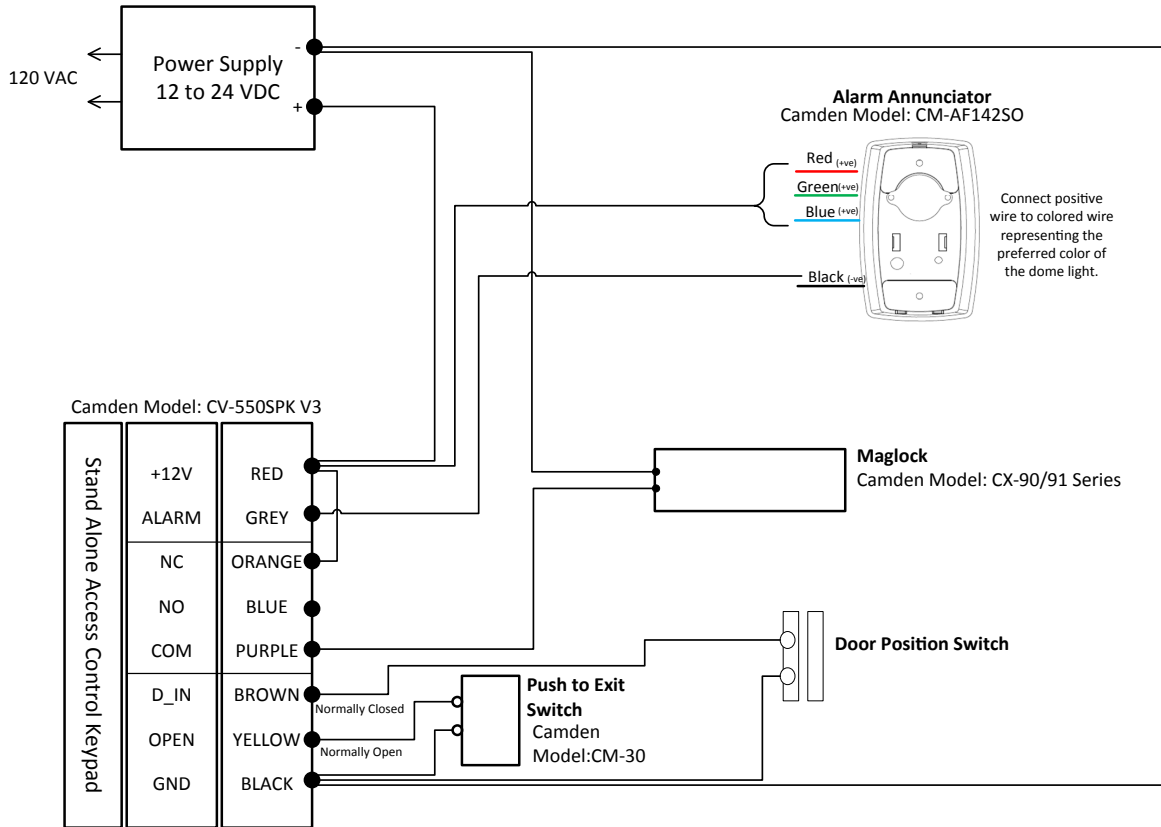
Wiring the CV-550SPK V3 to a Door Operator



Wiring the CV-550SPK V3 to a Fail Secure Door Strike

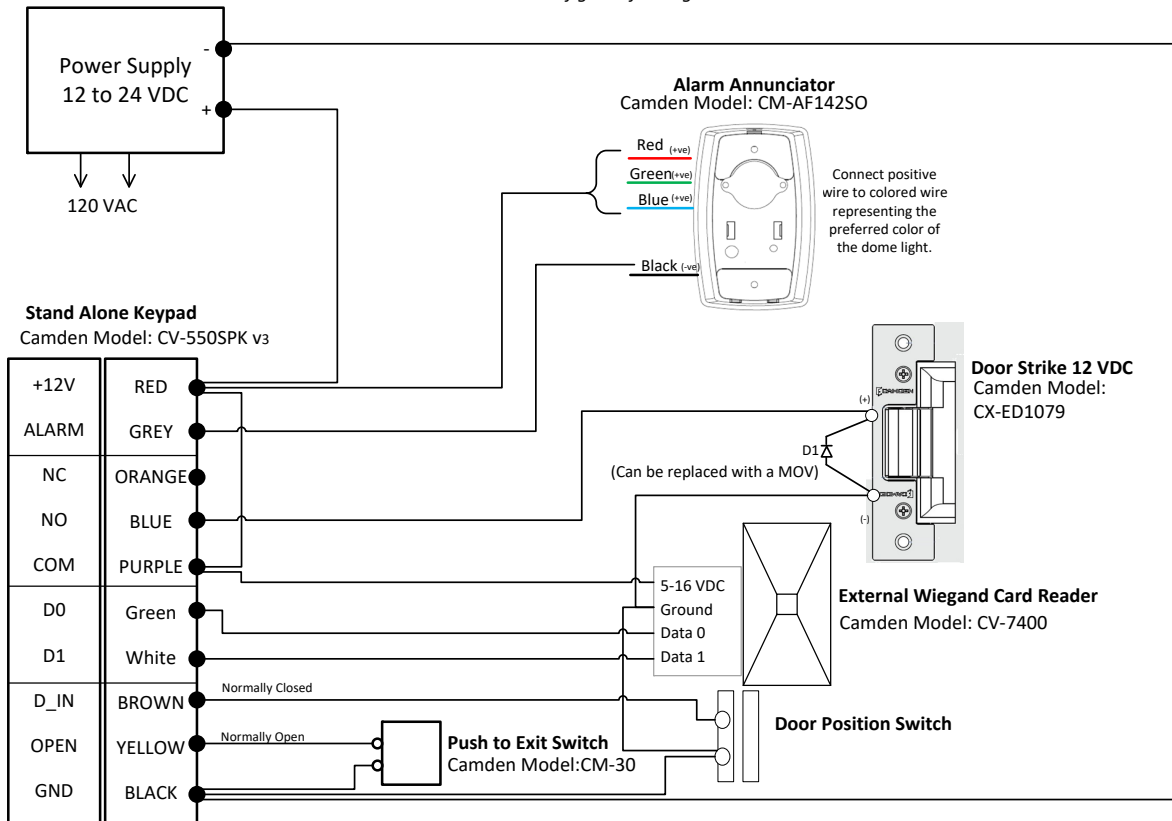


Wiring the CV-550SPK V3 to a Maglock



Wiring the CV-550SPK V3 to an External Card Reader and Door Strike

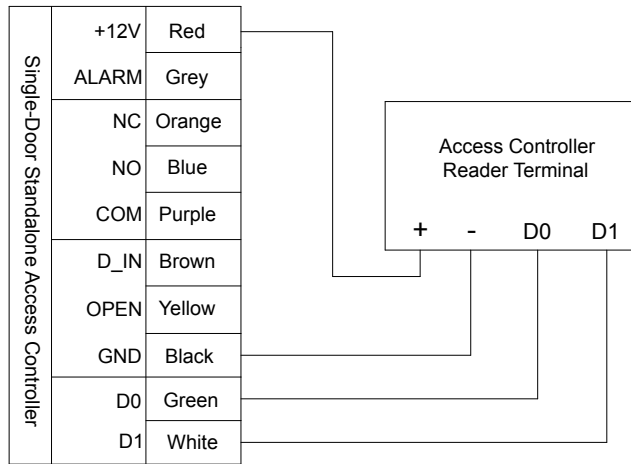
Must be configured for single door mode



CV-550SPK V3 WATERPROOF KEYPAD

INSTALLATION INSTRUCTIONS

Wiring the CV-550SPK V3 to an Access Controller (Wiegand Out)

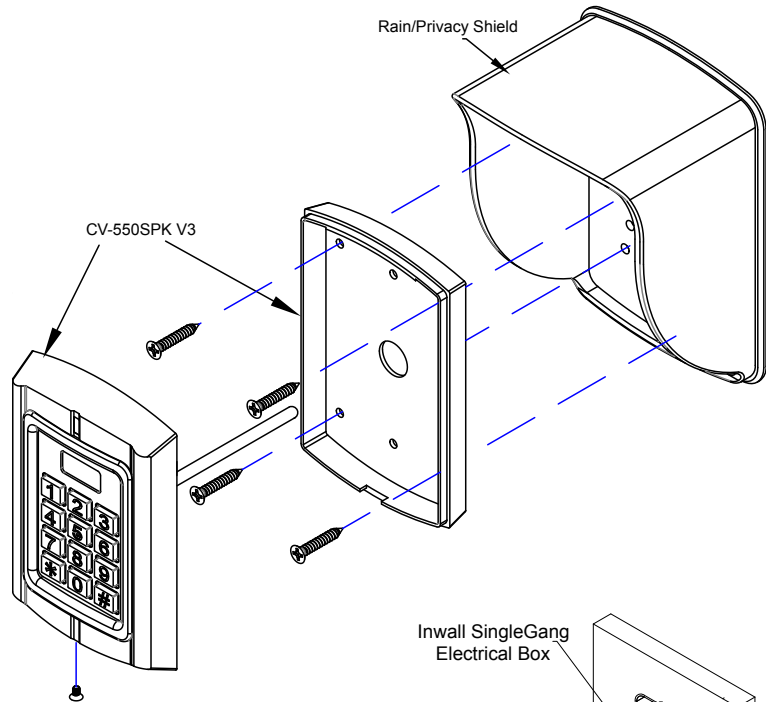


5. INSTALLATION

CV-550SPK V3 Wall Flush Mounting with Rain/Privacy Shield:

Note: Make necessary arrangements for wiring before Mounting the Keypad to the wall.

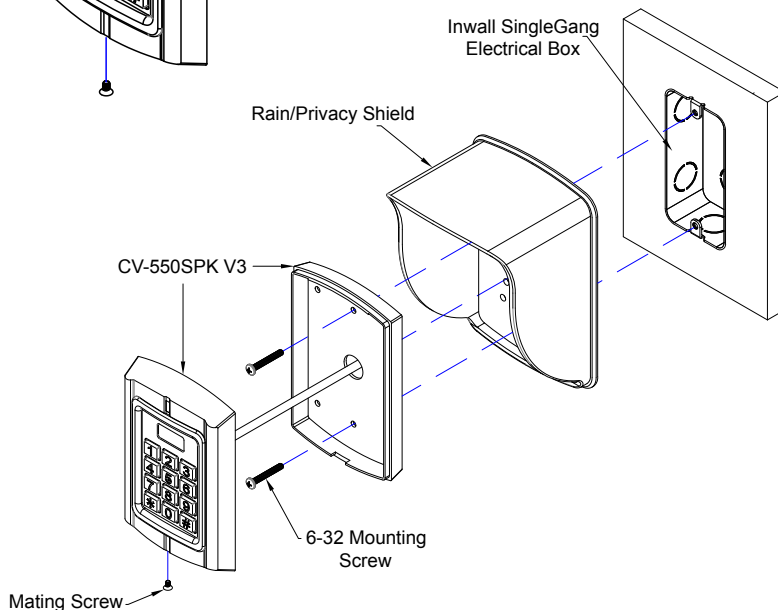
1. Remove the mating screw located at the bottom of the keypad, allowing you to mount the keypad with the Rain/Privacy Shield to the wall.
2. Spot drill hole on the wall and take the supplied Self threading screws to tighten back of the Keypad to the Rain/Privacy Shield.
3. Place the front of the keypad onto the back of the keypad then tighten with the mating screw to keep keypad in place.



CV-550SPK V3 Inwall Electrical Box Flush Mounting with Rain/Privacy Shield:

Note: Thread the Keypad wire through the rain hood to make necessary arrangements for wiring before Mounting the Keypad.

1. Remove the mating screw located at the bottom of the keypad, allowing you to mount the keypad with the Rain/Privacy Shield to the Electrical Box.
2. Take the supplied #6-32 screws and place it through the center top and bottom holes on the Keypad back plate, through the Rain/Privacy Shield then tighten screws to keep the plate and Rain/Privacy Shield onto the electrical box.
3. Place the front of the keypad onto the back of the keypad then tighten with the mating screw to keep keypad in place.



FCC ID: 2A48H-CV-550SPK

NOTE: This equipment has been tested and found to comply with the limits for a Class B digital device, pursuant to part 15 of the FCC Rules. These limits are designed to provide reasonable protection against harmful interference in a residential installation. This equipment generates, uses and can radiate radio frequency energy and, if not installed and used in accordance with the instructions, may cause harmful interference to radio communications. However, there is no guarantee that interference will not occur in a particular installation. If this equipment does cause harmful interference to radio or television reception, which can be determined by turning the equipment off and on, the user is encouraged to try to correct the interference by one or more of the following measures:

- Reorient or relocate the receiving antenna.
- Increase the separation between the equipment and receiver.
- Connect the equipment into an outlet on a circuit different from that to which the receiver is connected.
- Consult the dealer or an experienced radio/TV technician for help

For more comprehensive info refer to document: 40-82B306 CV-550SPK v3 Reference Manual