



5151 Everest Dr., Unit #6, Mississauga, ON L4W 2Z3
Telephone: 905-366-3377 Fax: 905-366-3378
Toll-Free: 1-877-226-3369
Web: www.camdencontrols.com

Mdl # ECI-210 Insertion Style Card Reader

MADE IN CANADA

PAGE 1 OF 1

Section 1

General Description

The ECI-210 Card Reader is a durable exterior stand-alone type Card Reader. The reader is activated by inserting a magnetic stripe encoded plastic credit card into the reader. The unit does not actually read the mag stripe, but detects only the presence of the card.

The card reader is available in your choice of faceplates – either Narrow Jamb style (ECI-210N), or to fit a double gang electrical box (ECI-210W).

The switch contact closure can be used to release an electric strike, or signal our Mdl. #EMF-1 relay (in ABM Vestibule Mode). The output is N.O. as standard, but can be configured to be N.C.

This Card Reader does not determine whether the encoding is correct, nor does it decode the data on the stripe. It simply detects the presence of the card!

Section 2

Installation

The ECI-210N has been designed to fit in standard 1 3/4" wide framing with a depth of at least 2 1/2". See reverse side for a template showing frame cut-out dimensions. Once frame is cut-out and two mounting holes are drilled and tapped, make the wiring connections and fasten to frame.

The ECI-210W allows mounting in a double-gang electrical box with a depth of at least 2 1/2", or in the door mid-rail.

Test with a card for electrical continuity, then fasten securely using the two supplied security screws.

Wiring

A two conductor pigtail of approximately 6" is provided. The N.O. circuit closes when both micro-switches are depressed by the card.

Section 3

Technical Data

Models	ECI-210W Double gang mount ECI-210N Narrow jamb mount
Size	ECI-210W 4 1/2" x 4 1/2" x 2 1/2" ECI-210N 7 1/2" x 1 3/4" x 1 1/2"
Fastening	ECI-210W 4 x #6-32 M.S. ECI-210N 2 x #8-32 M.S.

Material	Machined Aluminum
Power required	None
Encoding	None (mechanical detection)
Temperature Rating	-40 C to +50 C
Cable Type	2 Conductors, stranded

Maximum Cable Lengths (typical):

Cable Size	Maximum Distance
24 AWG (No. 5)	100' (30m)
22 AWG (No. 6)	200' (60m)
20 AWG (No. 8)	300' (90m)
18 AWG (No. 10)	500' (150m)

Section 4

Warranty

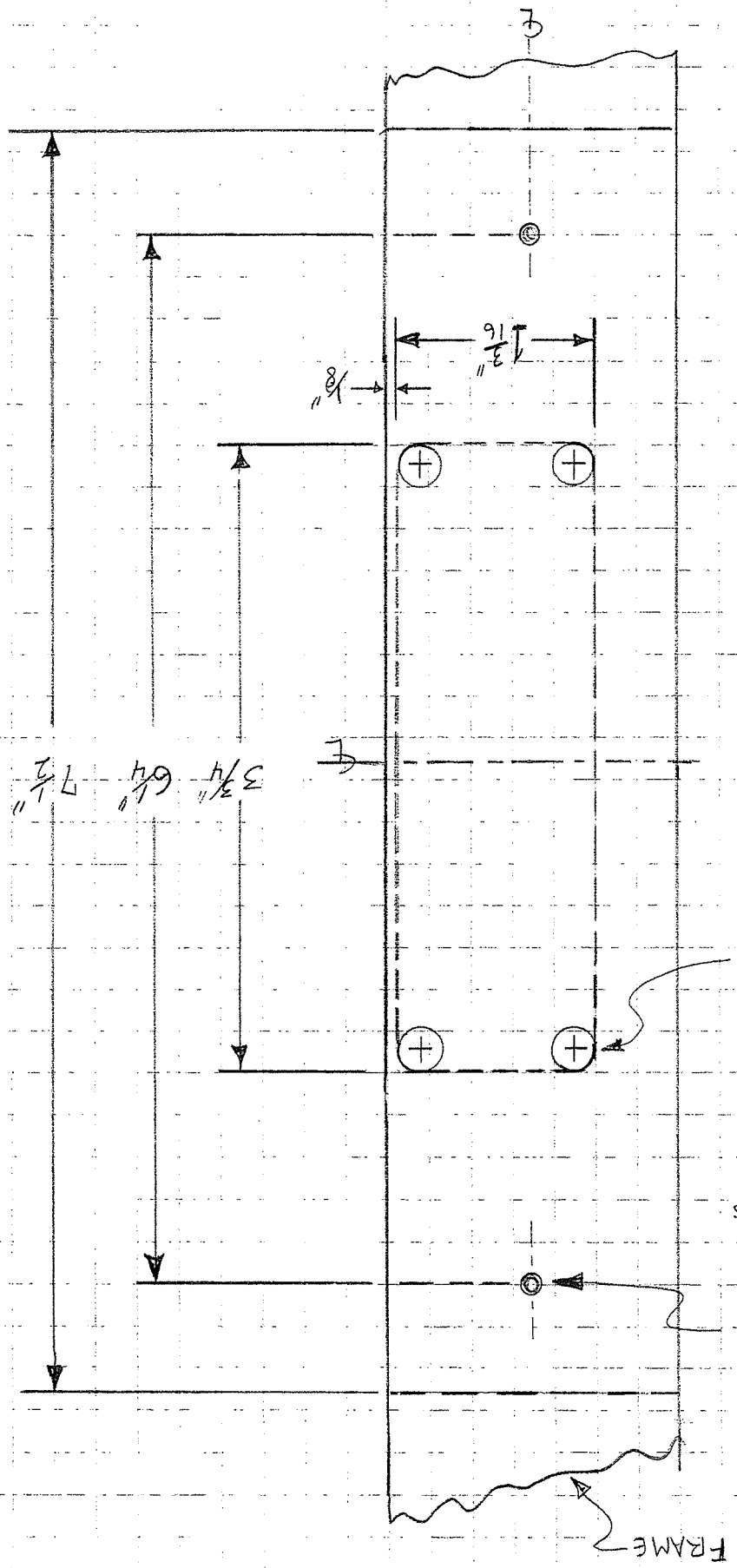
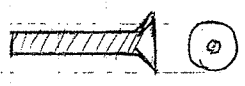
Camden Door Controls guarantees the ECI-210 to be free from manufacturing defects for 3 years from date of sale. If during the first 3 years the ECI-210 fails to perform correctly, it may be returned to our factory where it will be repaired or replaced (at our discretion) without charge. Except as stated herein, Camden extends no warranties expressed or implied regarding function, performance or service.

Questions?

Call us toll-free at 1-877-226-3369

ENTREX
Mdl# ECI-210

#8-32 x 3/4"
S/S MACHING
SCREEN
(Allen Head)



DRILL 4-
1/4" holes
and finish
cut-out
with saw

DRILL and Tap
2 - #8-32
Holes for
mounting screws

FRAME



5151 Everest Dr., Unit #6, Mississauga, ON L4W 2Z3
Telephone: 905-366-3377 Fax: 905-366-3378
Toll-Free: 1-877-226-3369
Web: www.camdencontrols.com

Mdl # ECI-210 Insertion Style Card Reader

MADE IN CANADA

PAGE 1 OF 1

Section 1

General Description

The ECI-210 Card Reader is a durable exterior stand-alone type Card Reader. The reader is activated by inserting a magnetic stripe encoded plastic credit card into the reader. The unit does not actually read the mag stripe, but detects only the presence of the card.

The card reader is available in your choice of faceplates – either Narrow Jamb style (ECI-210N), or to fit a double gang electrical box (ECI-210W).

The switch contact closure can be used to release an electric strike, or signal our Mdl. #EMF-1 relay (in ABM Vestibule Mode). The output is N.O. as standard, but can be configured to be N.C.

This Card Reader does not determine whether the encoding is correct, nor does it decode the data on the stripe. It simply detects the presence of the card!

Section 2

Installation

The ECI-210N has been designed to fit in standard 1 3/4" wide framing with a depth of at least 2 1/2". See reverse side for a template showing frame cut-out dimensions. Once frame is cut-out and two mounting holes are drilled and tapped, make the wiring connections and fasten to frame.

The ECI-210W allows mounting in a double-gang electrical box with a depth of at least 2 1/2", or in the door mid-rail.

Test with a card for electrical continuity, then fasten securely using the two supplied security screws.

Wiring

A two conductor pigtail of approximately 6" is provided. The N.O. circuit closes when both micro-switches are depressed by the card.

Section 3

Technical Data

Models	ECI-210W Double gang mount	
	ECI-210N Narrow jamb mount	
Size	ECI-210W	4 1/2" x 4 1/2" x 2 1/2"
	ECI-210N	7 1/2" x 1 3/4" x 1 1/2"
Fastening	ECI-210W	4 x #6-32 M.S.
	ECI-210N	2 x #8-32 M.S.

Material Machined Aluminum

Power required None

Encoding None (mechanical detection)

Temperature Rating -40 C to +50 C

Cable Type 2 Conductors, stranded

Maximum Cable Lengths (typical):

Cable Size	Maximum Distance
24 AWG (No. 5)	100' (30m)
22 AWG (No. 6)	200' (60m)
20 AWG (No. 8)	300' (90m)
18 AWG (No. 10)	500' (150m)

Section 4

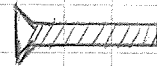
Warranty

Camden Door Controls guarantees the ECI-210 to be free from manufacturing defects for 3 years from date of sale. If during the first 3 years the ECI-210 fails to perform correctly, it may be returned to our factory where it will be repaired or replaced (at our discretion) without charge. Except as stated herein, Camden extends no warranties expressed or implied regarding function, performance or service.

Questions?

Call us toll-free at 1-877-226-3369

ENTREX
Mdl # ECI-2/10



#8-32 x 3/4"
S/S MACHINE
SCREW
(Allen Head)

FRAME

DRILL and Tap
2 - #8-32
Holes for
mounting screws

DRILL 4
1/4" holes
and finish
cut-out
with saw

