



5151 Everest Dr. U#6 Mississauga ON L4W 2Z3
Telephone: 905-366-3377 Fax: 905-366-3378
Toll Free: 1-877-226-3369
Email: info@camdencontrols.com

PC-3

Lock-out Relay

Installation Instructions

MADE IN CANADA

PAGE 1 OF 3

Section 1

General Description

The PC-3 is a lock-out relay (L.O.R.) designed to be used with a swing door sensor (such as Optex's OA-601C), and Automatic Door operators utilizing DC motors.

Since the door would normally be detected by the safety sensor when it is closing, the PC-3 is used to bypass this sensor once the door starts its closing cycle.

The PC-3 is also connected to surface mounted door beams which are installed at the end of guard rails (as per ANSI 156.10). If someone should walk back into the swing path of the door the safety beam will send a signal to the L.O.R. causing it to reset, allowing a safety signal to be sent to the door control. This type of installation provides for maximum safety.

Section 2

Installation

Mounting

The LED's and potentiometer are visible through the label therefore the case does not need to be opened. Once the unit has been adjusted, the relay may be tucked up in the header or affixed using the double-sided tape.

Wiring

CAUTION: Do not apply 120V AC primary power to the transformer until all secondary wiring is complete.

The **ORANGE** and **BROWN** wires are used to power the PC-3, and may be connected to 12 or 24 volts AC/DC. A green LED illuminates to indicate power.

The **RED** and **BLACK** wires connect directly to the input of the operator motor. Tie into the two wires

running between the motor and control box. These wires are polarity sensitive, so if the PC-3 doesn't energize when the door is closing, you will need to reverse the **RED** and **BLACK**. NOTE: The red LED is illuminated whenever the PC-3 is energized.

The **GREY** and **VIOLET** wires are to be connected to the normally open (N.O.) contacts of a door beam system (such as Optex OS-1C, or MS Sedco DB-11S). The beams are mounted at the end of the guard rails and used to reset the PC-3 in the event anyone should walk into the swing zone during the closing (or lock-out) cycle.

The **YELLOW** and **GREEN** wires are connected in series with the safety sensor (OA-601C). When the door is operating in the closing cycle, the safety sensor is switched out of the circuit until the door is fully closed.

Refer to the Wiring Diagram on Page 3 for detailed wiring instructions.

Section 3

Set Up Instructions

The cover of the PC-3 does not have to be removed for the adjustments to be set. Verify power is on by observing the green LED.

The time delay should be initially set to the 1/4 position, which establishes a delay of approximately 8 seconds.

Turning the potentiometer clockwise increases the time delay (lockout), and turning it counter-clockwise, decreases the time delay. A Red LED aids in setting the lockout time. Proper adjustment is obtained when the LED is lit during *the entire closing cycle of the door*.

Activation of the safety beams during the closing cycle will extinguish the LED (and apply safety) before the time delay expires.

Re-activation of the door from the approach side will also reset the PC-3 providing there is no-one activating the safety sensor. The PC-3 will allow a recycle of the door even if the door is reactivated before it reaches its fully closed position.

Section 4

System Inspection Instructions

After the Installation and operational check of the system:

1. Place warning label on the door (as per ANSI A156.10 or A156.19 guidelines). This will advise the person entering the swing side zone that the door will move.
2. Instruct the owner on door system operation and how to test it. This should be checked on a daily basis.
3. Instruct the owner on what to do if the door or any of its components become damaged.
4. Strongly recommend to the owner that the complete entry be inspected twice a year as part of the service agreement.

Section 5

Technical Data

Model	PC-3
Size	4" x 2" x 1"
Mounting	Double Sided Foam Tape
Enclosure	Black ABS plastic
Operating Voltage	12 - 24 Volts AC/DC ($\pm 5\%$)
Current Draw	50 mA max.
Response Time	0.3 seconds
Motor Input	Min. 5 VDC, Max. 100 VDC
Door Beam Input	Normally Open dry contact
Relay Output	1 x N.C. Contact
Contact Rating	3 amps @ 120VAC/ 30VDC
Time Delay	1 - 30 seconds adjustable

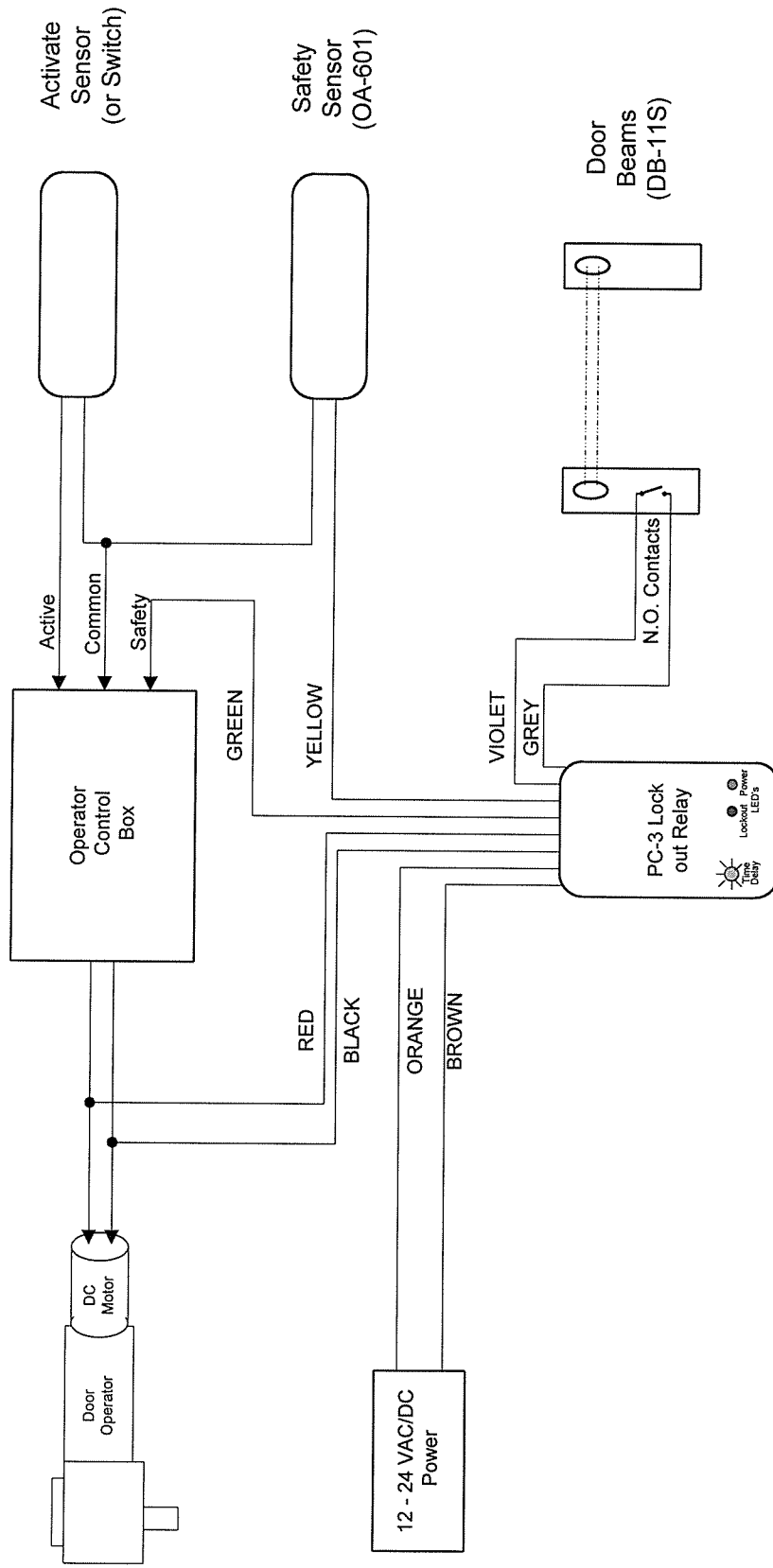
Section 6

Warranty

Camden Manufacturing guarantees the PC-3 to be free from manufacturing defects for 3 years from date of sale. If during the first 3 years, the PC-3 fails to perform correctly, it may be returned prepaid to our factory where it will be repaired or replaced (at our discretion) without charge. Except as stated herein, Camden extends no warranties expressed or implied regarding function, performance or service.

Questions?

Call us toll-free at 1-877-226-3369



NOTE:
 For simplicity, the 12/24V needed to power the sensors and Door Beams have been omitted on this diagram

		5151 Everest Dr. Unit 6 Mississauga, Ontario L4W 2Z3	
Camden DOOR CONTROLS	Camden Manufacturing	DRAWN BY: DGW	DATE: 12/11/02
SCALE: NONE		REVISED:	
<i>PC-3 Lock-out Relay (Typical)</i>			
DRAWING No: DRG-PC-2-121102		FILENAME: PC-3 LOR.vsd	