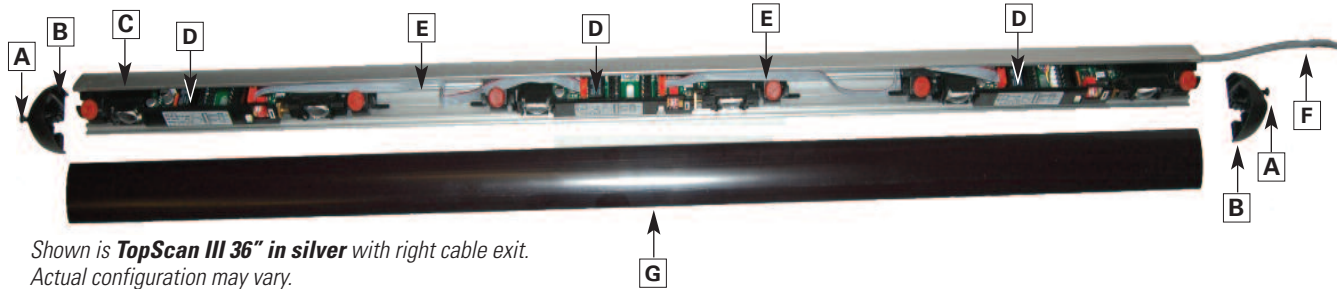


TopScan User Manual

Active infrared door-mounted safety sensor for
swinging, low-energy, revolving & folding doors

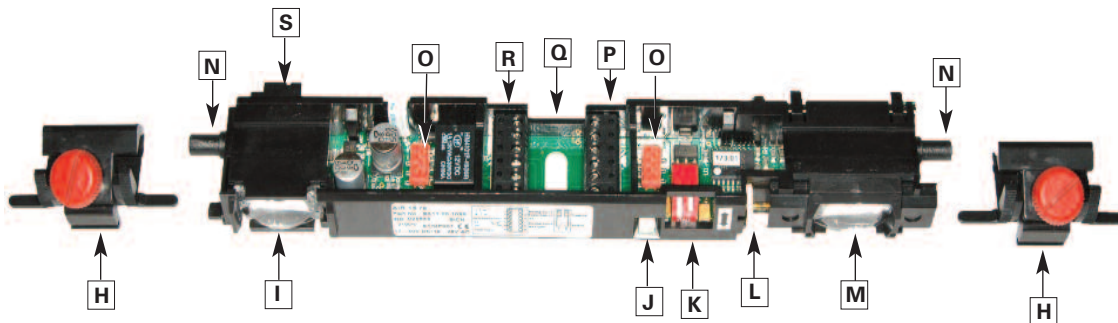
1 Introduction

1.1 Parts of the TopScan Assembly



- | | | |
|------------------------------|---------------------------|--|
| A End cap screws (2x) | C Aluminum rail | E Intra-unit connector cable (2x) |
| B End caps (2x) | D Sensor unit (3x) | F 8-ft (2.4 m) 6-wire cable for door operator |
| | | G Lens cover |

1.2 Parts of the Single Sensor



- | | | |
|---|---|---|
| H Snap-in mounting brackets (2x) | L Height/distance adjustment thumb wheel | P Wiring terminal block |
| I Infrared sender lens | M Infrared receiver lens | Q Cable exit |
| J Detection indication LED (red) | N Mounting bracket connecting pin (2x) | R Extension connector |
| K DIP switches | O Connector for intra-unit cable (2x) | S Left/right pattern position selector |

1.3 Tools / Parts required for Installation

Tools:

- Ladder
- Tape measure
- Level
- Wire cutter
- 4 gauge (5 mm dia.) wire stripper for cable sleeve
- 22 gauge (0.25 mm²) wire stripper for single wires
- Flathead screwdriver 1/10" (size #0 / 2.4 mm)
- Electric screwdriver with phillips head (size #2)
- Electric drill with 1/4" (6 mm) drill bit

Parts:

- 2 or 3 screws (e.g. self-tapping) to attach aluminum rail to door panel

2 Safety Precautions

2.1 General Safety

Warning: failure to follow these safety precautions may cause damage to sensor or objects, serious personal injury, or death.

- This product is designed to be mounted on the top of a swinging, revolving, or folding automatic door.
- Do not use this product other than for its specified application.
- Observe all local, national, and international door safety standards, codes, and laws.
- Only trained and qualified personnel may install and initialize the sensor.
- Only authorized Bircher Reglomat personnel may perform hardware/software changes or repairs to the product.
- The unit should only be operated from a safety extra low voltage (SELV) system with safe electrical separation.
- Always consider the safety functions of your applications as a whole, never just in relation to one individual section of the system.
- The installer is responsible for testing the system to ensure it meets all applicable safety standards (e.g. ANSI 156.10).
- Never touch any electronic components or lenses.

2.2 Installation Safety

- Follow all steps outlined in this manual in order for proper installation of the product.
- Stop all pedestrian traffic through the door before installing sensor.
- Ensure there is no pedestrian traffic through the door until sensor is installed and tested for compliance with all applicable safety standards (e.g. ANSI 156.10).
- Verify proper installation of door equipment before installing sensor.
- Shut off all power before attempting any wiring procedures.
- Always use wire terminals to terminate stranded wire ends.
- Check placement of wiring to ensure moving parts are not impeded by wires.
- Make sure wiring is correct before applying power to the sensor to avoid damage to equipment.
- Ensure (e.g. by standing in the pattern) that installation is in compliance with all applicable standards (e.g. ANSI 156.10) after installation.
- If the sensor sustains damage (e.g falls), replace it with a new unit.
- If a satisfactory solution cannot be achieved after troubleshooting a problem, please call Bircher Reglomat at 800-252-1272 or visit our website at www.bircherreglomat.com.

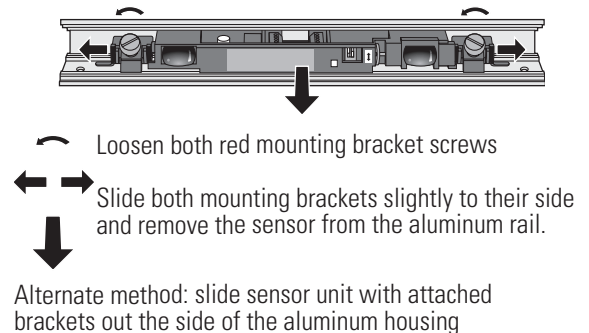
DO NOT LEAVE ANY PROBLEMS UNRESOLVED! DO NOT SACRIFICE SAFETY FOR ANY REASON!

3 Preparation

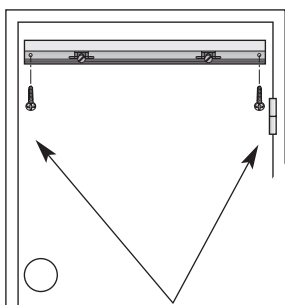
3.1 Opening Housing & Removing Sensor



- ① Remove the end caps by removing both screws
- ② Remove the front cover by grasping with your fingers and pulling away from aluminum rail.



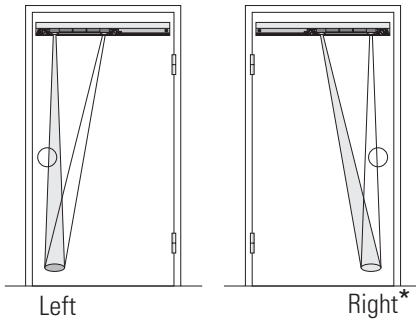
3.2 Mounting the Housing



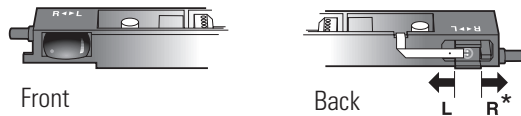
Note: If the TopScan assembly is too long for the door, the aluminum rail & lens cover may be cut down to size. For ease of cutting, ensure lens & rail are cut together as an assembly.

1. Fix both end caps to the aluminum rail with provided screws.
Loosen mounting bracket screws and slide sensors to the side to accommodate holes.
2. Center aluminum rail with end caps between door jambs or hinge and place about 1" (2.5 cm) from the top of the door or arm fixture/slide rail (if applicable).
3. Drill mounting holes in the aluminum rail and possibly door panel (2 holes for $\leq 36"$, 3 holes for $\geq 36"$) approximately 5" (12 cm) from the edges.
4. Attach the aluminum rail to the door panel with screws (e.g. self-tapping).
5. Route the cable through the cable exit in the end cap and lead to door operator (e.g. through supplied cable loop.)
6. If mounting a TopScan system (units on both sides of door face) drill a 1/4" cable hole approximately 7" (18 cm) from the edge. Units must be mounted at the same height to route the cable properly. For more information on wiring TopScan systems, see section 4.2.

3.3 Selecting the Detection Area



Depending on the door opening, a right or left sensing location must be selected. The selector can be found on the backside of the optics.



To change the detection area, slide the plastic selector to position L or R*.

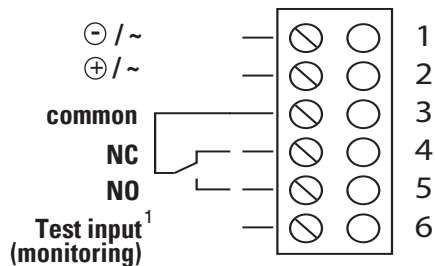
Position of the detection area
L = Left R = Right*

*Factory setting

4 Electrical Connection

4.1 Single TopScan Sensor

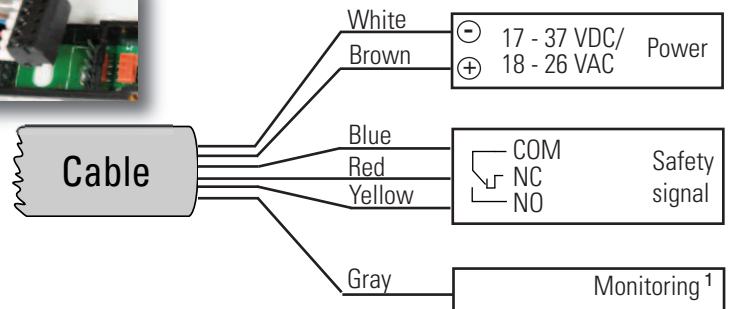
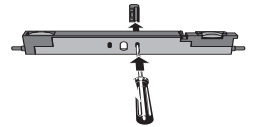
Self-Assembly



¹Monitoring available in stationary mode only

Pre-assembled TopScan

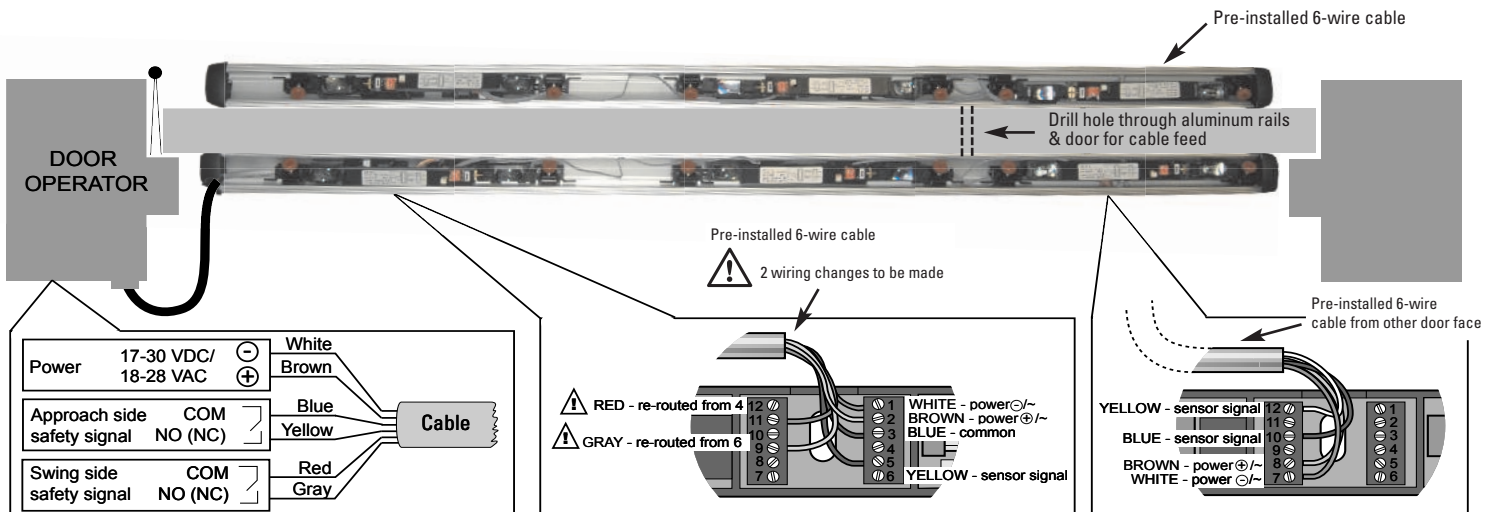
1. Remove the existing unwired terminal block by pushing it out from the back with a screwdriver if necessary.
2. Attach the pre-wired terminal block to the terminal receptor pins on the sensor unit.



¹Monitoring available in stationary mode only

4.2 TopScan System

An additional TopScan mounted on the opposite side of the door panel can be connected through the extension connector (terminals 7–12). Wire colors refer to the pre-installed 6-wire cable provided with TopScan assemblies.

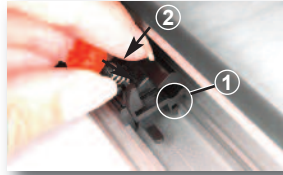


5 Completing the Assembly

5.1 Mounting the Sensor(s) in the Housing



1. Loosen the red screws on the mounting brackets.



2. Click the mounting brackets into the aluminum rail. Brackets can also be clicked out if screws are sufficiently loosened.



3. Slide the sensor into position between the brackets.



4. Move the brackets toward sensor and apply pressure until the pins snap into the sensor. Tighten screws to secure.

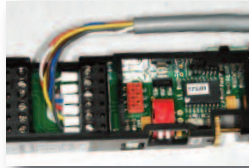


Note: for a denser detection pattern, mount multiple sensors on one aluminum rail and connect with intra-unit flat cables.



Insert the intra-unit flat cable connector correctly into the receptacle or damage could result.

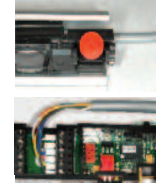
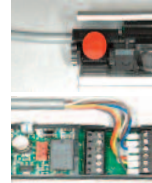
5.2 Routing the Cable



Route the wires from the screw terminal away through the cable exit guide.



Lead the cable behind the sensor and out the end of the assembly.

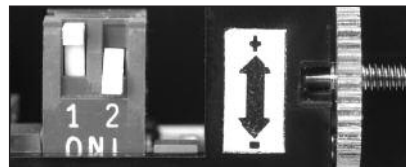


Route cable out of unit according to cable loop location (right or left).

6 Sensor Adjustments

Power on the sensor after installation is complete. The LED illuminates when the sensor detects a presence.

6.1 Selecting the Operating & Switching Modes



Typical setting for swing door shown

*Factory settings

Switch 1 - Operating mode selection

*Up



Moving mode (background suppression on)
e.g. mounted on swing door panel
– No background necessary, floor is ignored (background suppression)
– No monitoring: the sensor cannot be tested in this operating mode (test input TI without function)

Down



Stationary mode (background analysis)
e.g. mounted on machine
– A stable background is essential, the floor is analyzed (background evaluation)
– Monitoring possible: the sensor can be tested via the test input

Switch 2 - Switching mode selection

*Up



Passive Switching
– The relay opens the NO contact (closes the NC) on detection (see section 3.4)
– A power failure or wire damage is interpreted as a detection and will trigger the respective safety feature of the door

Down



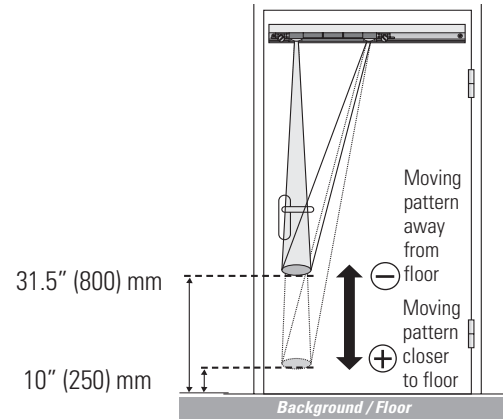
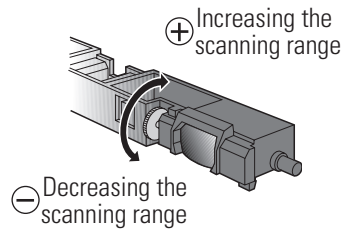
Active Switching
– The relay connects NO to COM on detection (see section 3.4)

6.2 Scanning Range Adjustment

First, check the scanning range with a white letter size sheet of paper or the palm of your hand.

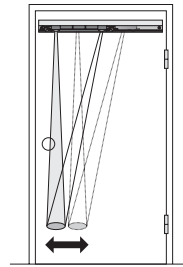
Then, adjust the scanning range with the thumb wheel.

Recommended height setting is 10" - 30" (25 - 76 cm)



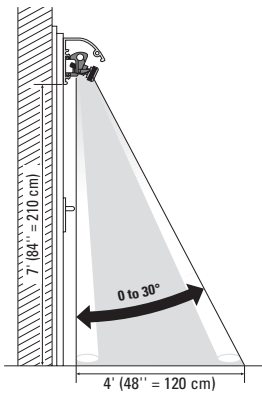
6.3 Detection Area Adjustment

Adjust the detection area by sliding the sensor in the rail. The red screws on mounting brackets should be partly loosened for easy adjustments. Ensure red mounting bracket screws are sufficiently loosened to move over aluminum rail mounting screw heads.



6.4 Inclination Angle Adjustment

Using both hands, grasp both sides of the sensor and carefully tilt it up or down to change the inclination angle.



The angle (0° to 30°) can be read on the sides of the mounting brackets.

! Ensure the sensor is level by setting the same angle on both brackets.

6.5 Adaptation to Meet Standard Requirements

To comply with ANSI/BHMA requirement for the leading edge and sensing field, cut the protruding pin of the mounting bracket on the leading edge and slide the sensor/brackets assembly as far as possible towards the leading edge.

The TopScan has been independently tested by TÜV Rheinland North America and certified compliant with ANSI standards.

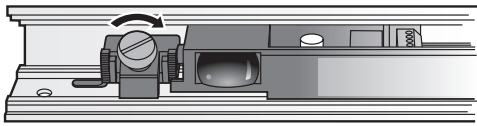


After installation it is important to test the full detection pattern described in the standard by standing/crouching in the detection area.

7 Finishing the Installation

7.1 Securing the Sensor Position

When all settings are complete, secure the sensor by tightening the red screws on the mounting brackets. A screwdriver can be used for tightening the screws, but only very low torque should be applied.



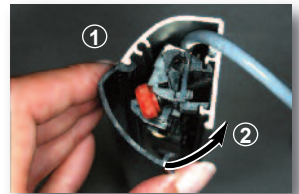
7.2 Closing the Housing

1. Attach the front cover to the aluminium housing.
2. Attach the end caps using the screws provided.



Remove the blue plastic protective film from the lens.

Click the plastic front cover onto the rail as shown. Ensure it is secure the entire length of the rail.



7.3 Routing the Cable Loop



Use pliers to break out one of the two the cable exits indicated on the end cap.



Option 1: routing of the cable loop through the cable exit.



Option 2: routing of the cable loop through the cable exit.

8 Troubleshooting

Note: The door **opening** refers to the TopScan on the **SWING** side. The door **closing** refers to the TopScan on the **APPROACH** side.

LED	Fault	Remedy
Off	Door does not open/close	1. Change the switching mode (active/passive), see section 4.1 Or use the other relay output terminal (NC instead of NO or vice versa), see section 4.1
Off	The sensor does not detect the test object	1. Adjust scanning range closer to the floor, see section 4.2 2. Check intra-unit cable & connectors, see section 3.5 3. Replace sensor
On	Door does not open/close	1. Adjust scanning range further away from the floor, see section 4.2
On	Door opens/closes	1. Change the switching mode (active/passive), see section 4.1 Or use the other relay output terminal (NC instead of NO or vice versa), see section 4.1 and adjust scanning range further away from the floor, see section 4.2
On and off intermittently	Door only opens/closes cyclically or partially (irregular detection without an object in the scanned zone)	1. Change the operating mode to moving, see section 4.1 2. Adjust the scanning range further away from the floor, see section 4.2 3. Increase inclination angle further away from the door panel, see section 4.4 4. Remove reflective background (e.g. dry the floor or cover floor with mat) 5. Remove the fluorescent lamp (e.g. deactivate FL/CFL/HID bulb in the immediate vicinity of the sensor/door)

8 FCC Approval

This device complies with Part 15 of the FCC Rules and with RSS-210 of Industry Canada.

Operation is subject to the following two conditions:

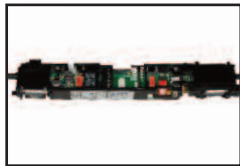
- This device may not cause harmful interference.
- This device must accept any interference received, including interference that may cause undesired operation.

This equipment has been tested and found to comply with the limits for a Class B digital device, pursuant to Part 15 of the FCC Rules. These limits are designed to provide reasonable protection against harmful interference in a residential installation. This equipment generates, uses, and can radiate radio frequency energy and, if not installed and used in accordance with the instructions, may cause harmful interference to radio communications. However, there is no guarantee that interference will not occur in a particular installation. If this equipment does cause harmful interference to radio or television reception, which can be determined by turning the equipment off and on, the user is encouraged to try to correct the interference by one or more of the following measures:

- Reorient or relocate the receiving antenna.
- Increase the separation between the equipment and receiver.
- Connect the equipment into an outlet on a circuit different from that to which the receiver is connected.
- Consult the dealer or an experienced radio/TV technician for help.

Warning: Changes or modifications to this equipment not expressly approved by Bircher Reglomat may void the FCC authorization to operate this equipment.

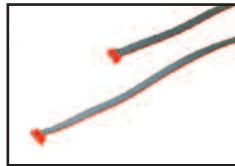
9 Additional Parts & Accessories



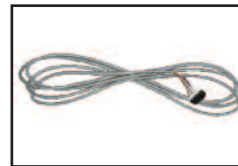
AIR16 RE sensor



Sensor mounting bracket



Intra-unit flat cable - available in 12", 18", 24" & 35" to connect multiple sensors in one housing



8' (2.4 m) 6-wire cable - to connect TopScan to door operator



Cable loop - to protect exposed cables



Aluminum rail - available in black, white or silver



Lens cover



End caps



Rain protection tape - for areas exposed to rain

10 Declaration of Conformity

Manufacturer: Bircher Reglomat AG, Wiesengasse 20, CH-8222 Beringen, Switzerland, www.bircher-reglomat.com
Importer: Bircher America, Inc. 870 Pratt Ave N, Schaumburg, IL 60193, USA, www.bircherreglomat.com

Directives observed: 2006/42/EC, R&TTE directive 1999/5/EC, EMV-directive 004/108/EC
Standards taken into account: EN 61000-6-1, EN 61000-6-2, EN 61000-6-3, EN 61000-6-4

Important note: Bircher Reglomat reserves the right to change any information in this document without notice.
For the latest version, please visit www.bircherreglomat.com or call 800-252-1272 to request a copy.

11 Technical Data

Specification	Value
Technology	Active infrared (wavelength: 880 nm) Triangulation principle
IR spot dimension	Approx. 3" (75 mm) in diameter for scanning range of 80" (2000 mm)
Detection distance (measured from sensor)	Stationary mode: approx. 4" - 100" (100-2500 mm) Moving mode: approx. 20" - 100" (500-2500 mm)
Scanning range setting	Thumb wheel approx. 60" - 100" (1500 - 2500 mm)
Temperature dependence (with reference to the set scanning range)	Deviation from 68° F (20° C) 140° F (60° C): + 10% -4° F (-20° C): - 10%
Black/white difference (with reference to scanning range set)	Max 20% White: longer scanning range Black: shorter scanning range
Monitoring input (labeled test input)	Activated with 17 - 30 V DC against power⊖ (for stationary mode only)
Response time upon detection	Approx. 30 ms
Response time with test signal	Max. 500 ms - only possible with DC operation

Operating voltage	17 - 37 V DC / 18 - 26 V AC
Current consumption	<110 mA
Output	Relay, changeover contact 48 V AC/DC Nominal current (ohmic load) 1A/24V DC For ind./cap. load (provide spark quenching) 0.5 A AC/DC Max. switching power: 55VA/24W

Mounting height	5.5' - 8.8' (1.7 - 2.7 m)
Protection class	Suitable for use in acc. to NEMA 5 (IP52) in housing with aluminum rail + cover + endcaps
Material	Rail Aluminum Lens cover PC (black) Sensor ABS
Operating temperature	-4° F to 140° F (-20° C to 60° C)
Storage temperature	-40° F to 176° F (-40° C to 80° C)
Dimensions (sensor only)	L x W x H without housing 7.8" x 1.2" x 0.78" (198.5 x 31 x 20 mm)
Dimensions (housing inc. end cap)	W x H (length variable) 1.5" x 1.7" (38 mm x 44 mm)
Weight	finished TopScan III 36" assembly 1 lb, 8 oz (0.68 kg) sensor unit only 1.59 oz (45 g)

BIRCHER
Reglomat

Bircher Reglomat
870 Pratt Avenue N
Schaumburg, IL 60193
Phone: 847-952-3730
Toll-Free: 800-252-1272
Fax: 847-952-2005
Email: sales@bircherreglomat.com
Web: www.bircherreglomat.com