

Pre Load Electric Strikes
Installation Instructions
and Technical Support

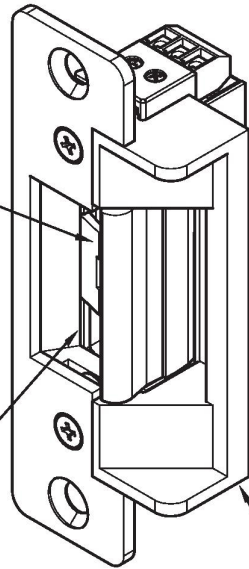
D00626_01



Camden Door Controls
Mississauga, Ontario L4W2T7
Phone: 1-877-226-3369
(877-CAMDEN9)
Fax: 905-366-3378
info@camdencontrols.com
www.camdencontrols.com

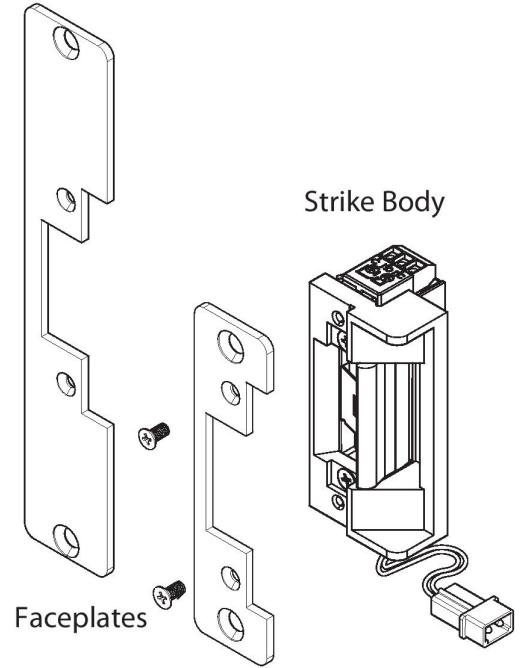
Adjustment:
To change position
of keeper, use
Phillips screwdriver
to loosen (3) screws,
move keeper to
desired location
and then tighten.

Latch monitoring
standard on all
pre load models.

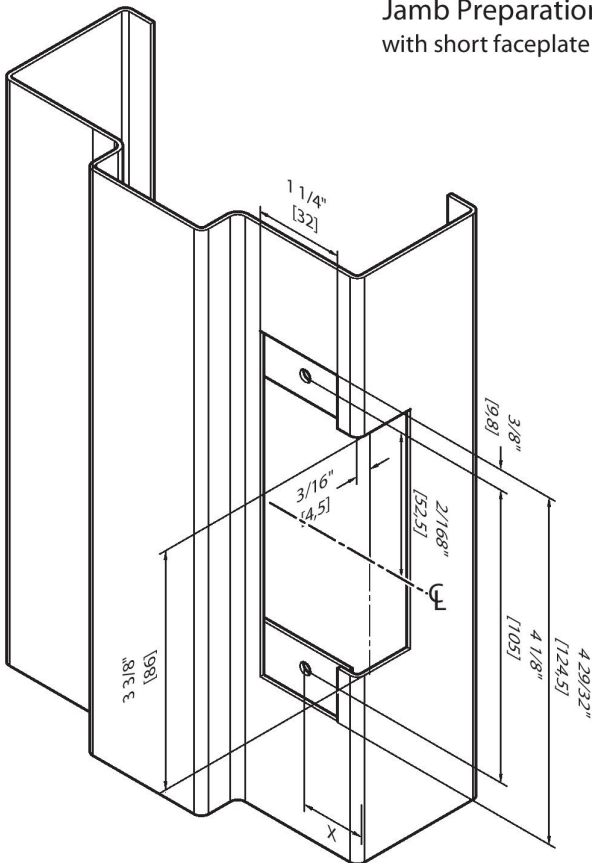


Selection:
Fail Safe/Fail
Secure
use Phillips
screwdriver to
select setting

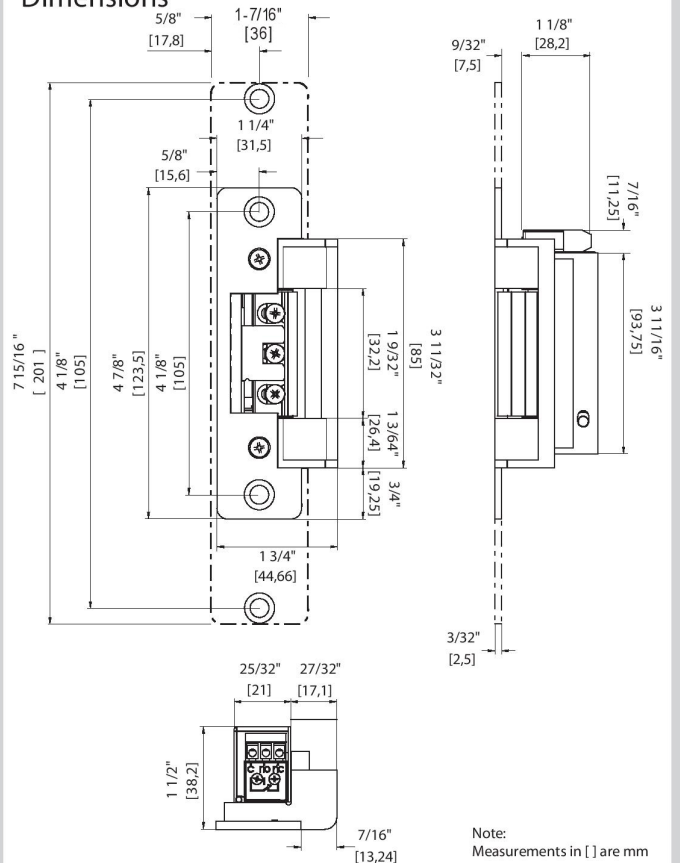
Note:
Pre load
feature only
functional with
fail secure
operation.



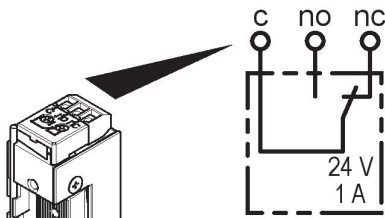
Jamb Preparation
with short faceplate



Dimensions

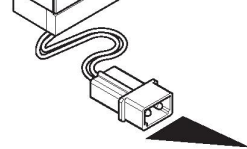


Connection



Latch Monitoring Output

Built-in latch monitoring feature wired to access control system.



Check voltage!



Power Input

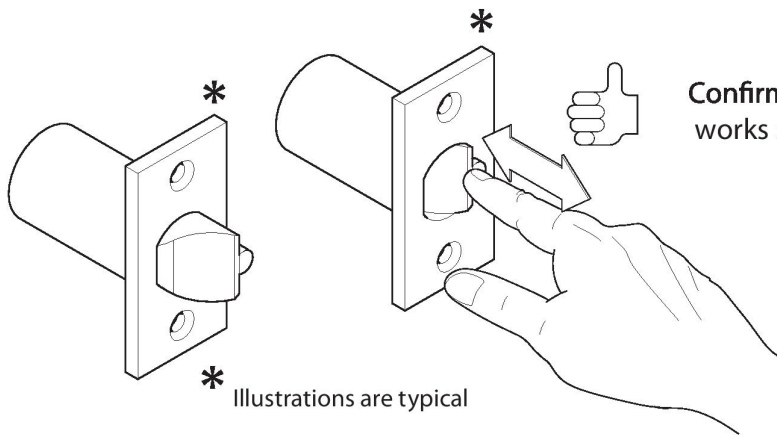
12/24V AC/DC

Using a multimeter, confirm that you have the correct output voltage at the power supply.

Then, using a multimeter, confirm that you have the correct input voltage at the strike.

+/- doesn't matter!

Check Lock



* Illustrations are typical