

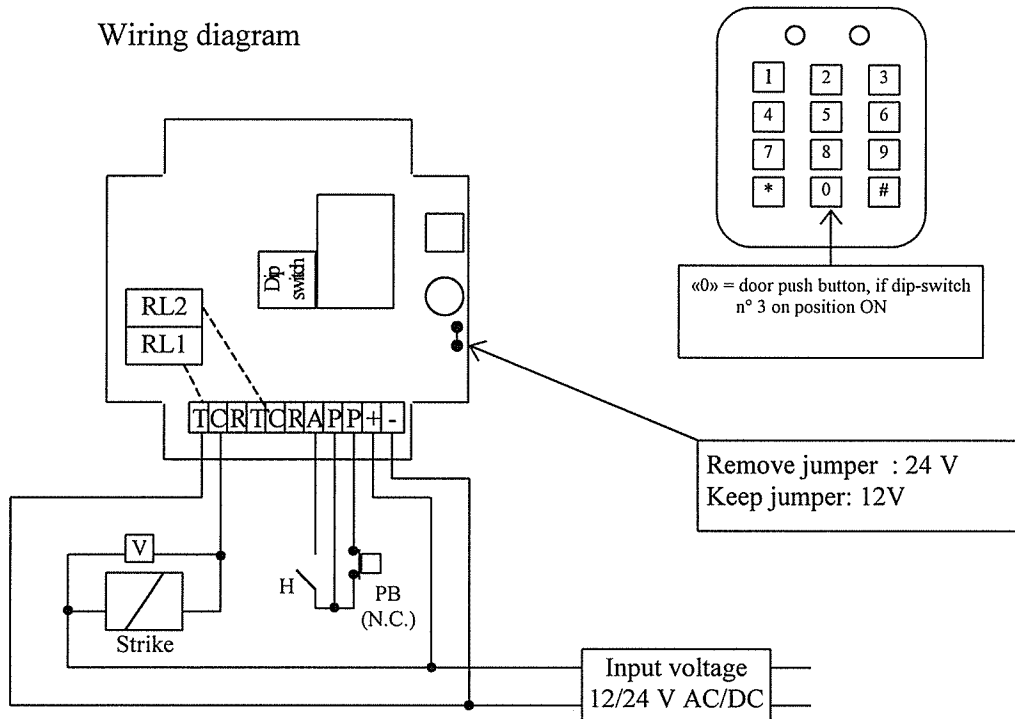


Camden Manufacturing

CM-50SB

KEYPAD WITH 50 USER CODES & 2 RELAYS

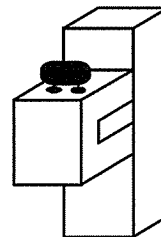
Wiring diagram



Inputs	
R	N/C contact
C	Common
T	N/O contact
A	Clock timer contact «0» key external push button
P	Common PB and H
P	Push button PB (Use N.C. Contact)
+, -	Input voltage 12 or 24 V, AC or DC

This device comes with a varistor.

The varistor must be connected to the strike terminal (electromagnet...) operated by the device.
 If this keypad code is connected to more than one strike, each strike should have a varistor.
 The varistor controls the overload produced by the strike coil – self-effect.



If you are using a « Shear Lock » electromagnetic lock, it is recommended to use a separate power supply than the one connected to the **CM-50SB!**

Technical specifications

Input voltage	12 / 24 VAC/DC ~ (Do not use the latched output with 24 V !)
Output	2 relay outputs Form C contacts Rated: 6A/250 V~
Operating Temperature	-20°C to +50°C
User Codes	50 programmable user codes 2 groups (00 to 29, 30 to 49)
Master Code	1 programmable master code 4 or 5-digit code
Code length	Select on dip-switch n° 2 (ON 4-digit code , OFF 5-digit code)
Push button	Request-to-exit and «0» key as an external push button
Keyboard	12-digit keypad, 2 LED's

Default values

Relay time delay :	1 second
Key-in keypad :	10 seconds
Programming delay :	120 seconds (2 minutes)

Keyboard

All the digit keys can be used to program a user code (0 to 9, * and #).

The master code can not be used as a user code.

The 4-digit code 0000 and the 5-digit code 00000 are used to delete an existing user code and then can not be used as user codes.

Request-to-exit

The request-to-exit button activates relay 1 RL1 (the relay can be programmed in momentary or latched time output).

The contact of the timer allows to use the « 0 » key as an external push button:

Contact of the timer opened and dip-switch n°3 in position ON	- « 0 » digit external push button,
Contact of the timer closed	- « 0 » in normal mode

Dip-switches

DIP-SWITCH	ON	OFF
1	Programming mode for the master code enabled	Programming disabled
2	4-digit code	5-digit code
3	« 0 » key as external push button (if contact of the timer opened)	Normal mode
4	Not used	

Setting a new Master Code

1. Choose the number of digits to use putting the dip-switch n° 2 in position ON for 4 digit code or on position off for 5-digit code.
2. Put dip-switch n° 1 in position ON.
3. Red LED lights on to confirm that you have entered in programming mode.
4. Enter the 4 or 5 digit code of the new master code.
Red LED lights off 1 second to indicate the validation of the new master code.
5. Put dip-switch n° 1 on position OFF to exit from the programming mode and come back to the normal mode.

When the red LED blinks, a mistake of programming occurred.

Setting Time delays and User codes

1. Choose the number of digits to use putting the dip-switch n° 2 in position ON for 4- digit or in position for 5-digit
2. Enter twice the master code. The red LED lights on. You are in the programming mode.
3. Enter the user code position number to be programmed (from 00 to 49), then the 4 or 5-digit user code . Red LED turns off for 1 second to indicate the validation of the code.
4. Enter 51 (relay code number for relay RL1), 52 for relay RL2, then the relay time delay in seconds – 01 for 1 second up to 99 for 99 seconds. 00 = relay latched output time.
Do not use the latched output with 24 V!
The red LED lights off during 1 second to confirm the validation of the time delay.
5. Press # to exit from the programming mode at any time. The red LED lights off to confirm that you have come back to the normal mode.

When the red LED blinks, a mistake in programming has unfortunately occurred.

The master code can not be used as a user code.

The 4-digit code 0000 and the 5-digit code 00000 are used to delete an existing user code and then can not be used as a user code.

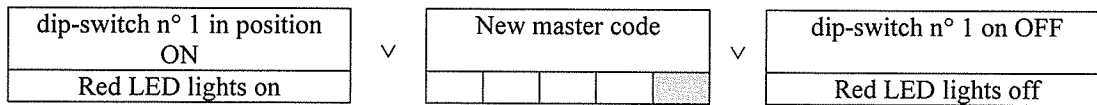
In Use

1. Each time that a code is recognized, the green LED lights on and the relay is activated during the programmed time delay.
2. To activate several relays with the same code, you have to program this code in several groups.
3. Time delay 00 = latched output time. (when a valid code is entered the relay stays activated until the code is entered again)

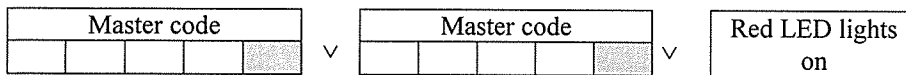
Do not use the latched output with 24 V!

Master code :

Set the code length by selecting the position on dip-switch n° 2 (ON for 4-digit, OFF for 5-digit).



- User codes :



User Codes for relay **RL1** – group 1 (00 to 29)

00					
03					
06					
09					
12					
15					
18					
21					
24					
27					

01					
04					
07					
10					
13					
16					
19					
22					
25					
28					

02					
05					
08					
11					
14					
17					
20					
23					
26					
29					

User Codes for relay **RL2** – group 2 (30 to 49)

30					
33					
36					
39					

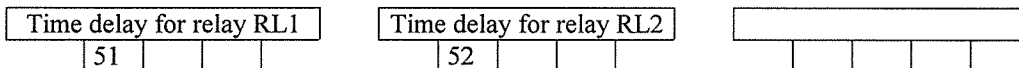
31					
34					
37					

32					
35					
38					

40					
43					
46					
49					

41					
44					
47					

42					
45					
48					



Press # to exit from the programming mode. Red LED lights off indicating that you went back to the operating mode.

Building Name:	
N° :	Street :
City :	