

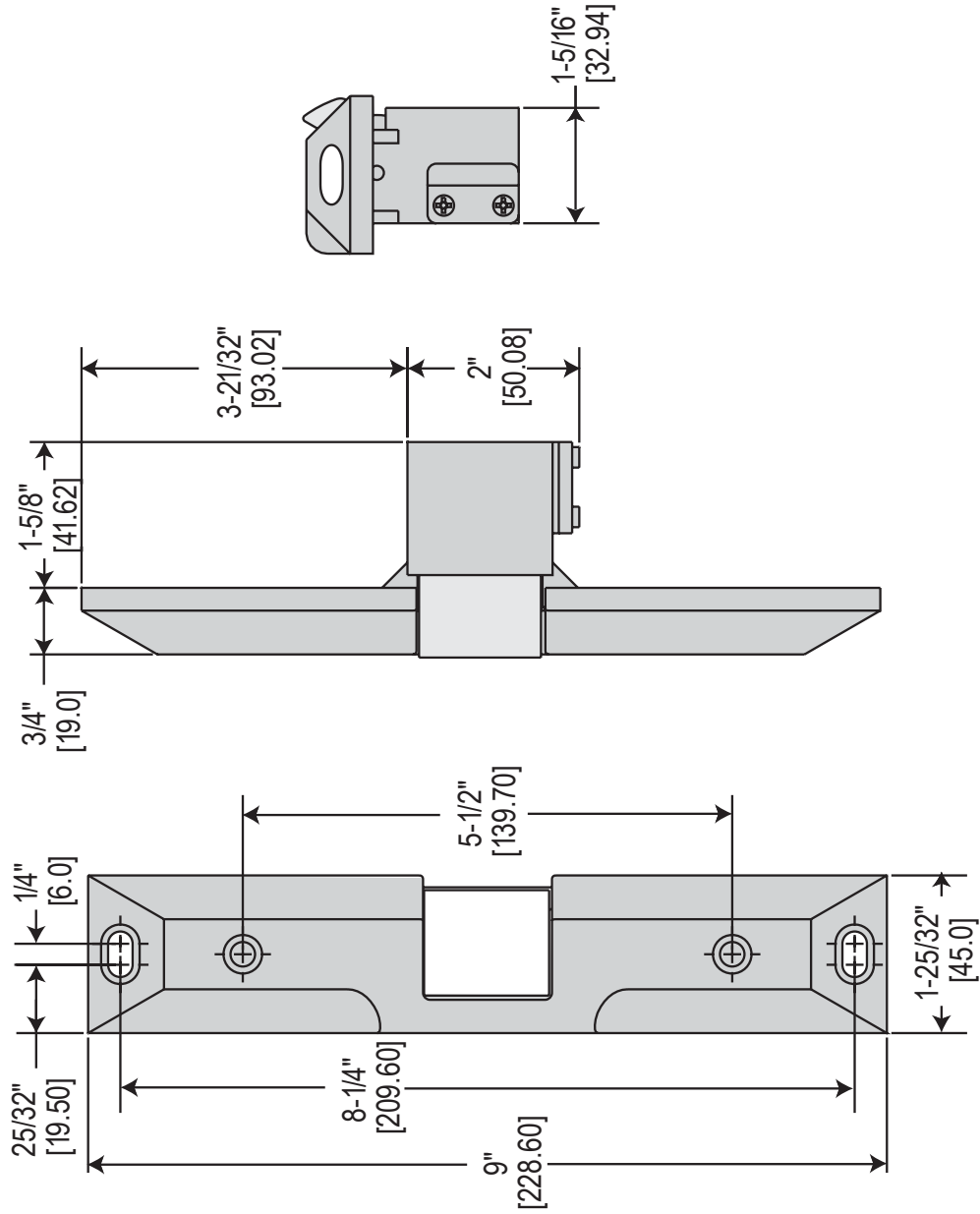


Camden Door Controls, Mississauga, Ontario L4W2T7
 Phone: 1-877-226-3369 (877-CAMDEN9), Fax: 905-366-3378
 info@camdencontrols.com, www.camdencontrols.com

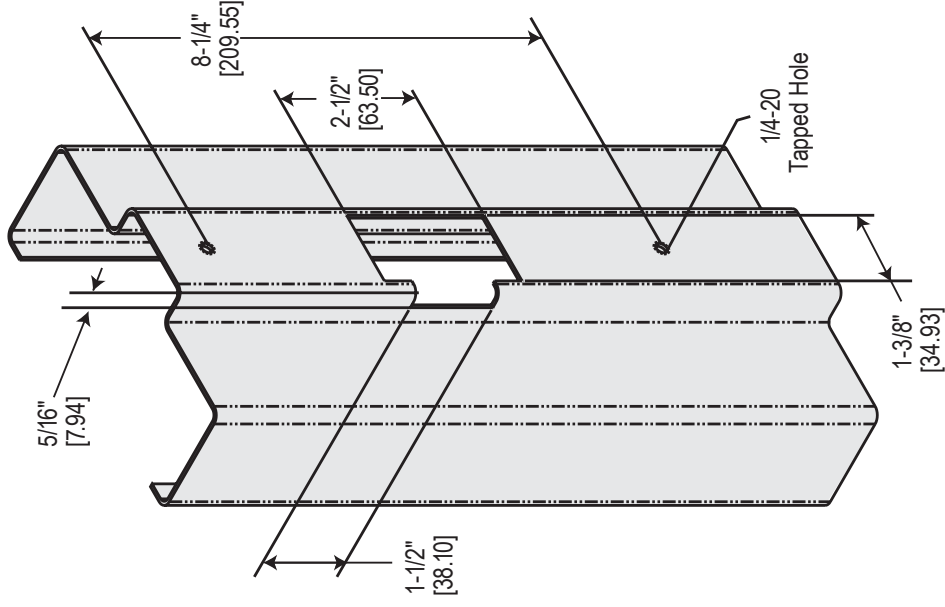
22 SERIES ELECTRIC STRIKES
 UL 1034 • BHMA Grade 2

INSTALLATION INSTRUCTIONS • Please read carefully before attempting installation

FIG 1



JAMB INSTALLATION
22 SERIES



1. Prepare door jamb.
2. Connect wires coming from the low voltage power source (see wiring diagrams and electrical specifications on page 2).
3. NOTE: It is important to allow enough space behind the electric strike in the jamb cut-out for the wires. Bunching the wires inside the electric strike body may cause the unit to not operate properly.
4. Install electric strike to jamb, using #1/4-20 machine screws provided.

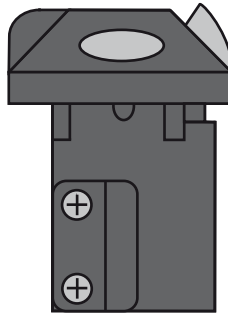
NOTE: Drawings are not to scale. All dimensions in inch and mm. This information is subject to change without notice.

WIRING DIAGRAMS AND ELECTRICAL SPECIFICATIONS

CAUTION! Before connecting any device at the installation site, verify input voltage and current using a multimeter. Many power supplies and transformers operate at higher levels than listed. Any input voltage exceeding 10% of the solenoid rating may cause severe damage to the unit and will void the warranty.

GENERAL INFORMATION:

This electric strike may be equipped with a 12 VDC/VAC or 24 VDC/VAC solenoid.



Electrical Specifications	12 V		24 V	
	AC	DC	AC	DC
Amps Seated	150 mA	200 mA	70 mA	110 mA
Resistance in Ohms	80	60	345	220
Watts Seated	1,8	2,4	1,68	2,64

MINIMUM WIRE GAUGE REQUIREMENTS	Solenoid Voltage	
	12 VDC	24 VDC
200 feet or less	14 gage	18 gage
200 – 300 feet	12 gage	18 gage
300 – 400 feet	12 gage	16 gage

FIVE YEAR LIMITED WARRANTY