



Camden Manufacturing

CM-50AL

FACTORY DEFAULT VALUES

- Factory's master code: 5-digit 12345
- Relay time delay 1 and 2: 1 second

NOTE: if the red LED blinks, wrong data was entered in programming mode.

SETTING A NEW MASTER CODE

Do not forget to write down the new master code :

--	--	--	--	--

Enter the factory's master code twice, the red LED lights on.



Enter 60, then the 5-digit new master code (0 to 9 * and #), the red LED lights off for 1 second.

WARNING : Do not use the master code as a user code. The code 00000 is reserved to cancel a user code.

. To exit from the programming, press the # key, the red LED lights off.

SETTING USER CODES

Group 1 (relay 1 red LED)

Position number

◇

user codes

00					
01					
28					
29					

Group 2 (relay 2 green led)

Position number

◇

user codes

30					
31					
48					
49					

Enter your the master code twice, the red LED lights on.

Enter the user code position number for group 1: 00 up to 29 and for group 2: 30 up to 50

Enter the 5-digit user code (0 to 9 * and #), the red LED lights off during 1 second

Repeat the previous steps to enter the next user code.

NOTE: A user code can be programmed in both groups to control both relays simultaneously, and with different time delay.

SETTING TIME DELAYS

Enter twice your master code, the red LED lights on.

Enter 51 for relay 1

Enter 52 for relay 2

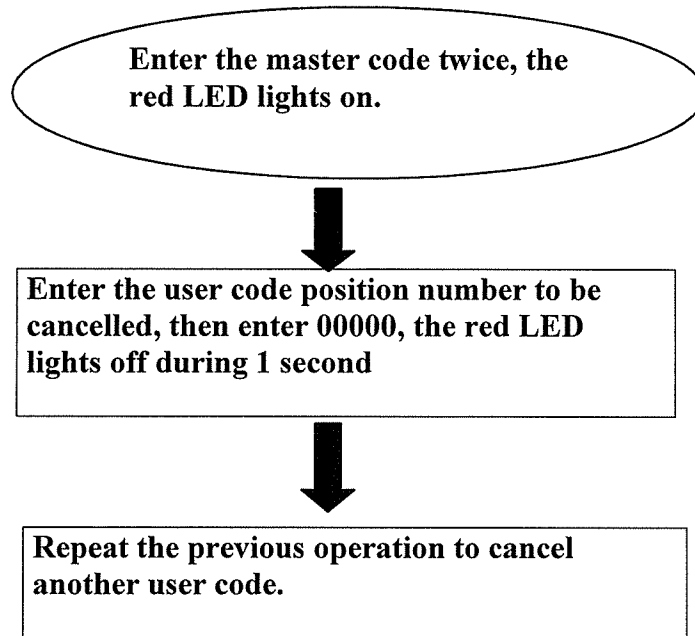
According to the selected mode , enter for each relay 1 and relay 2

- 00 for a latched output. (NOTE: Do not used the latched output in 24V)
- 01 to 99 for a momentary output

The red LED lights off during 1 second

• To exit from the programming mode, press the # key, the red LED lights off.

CANCELLING A USER CODE

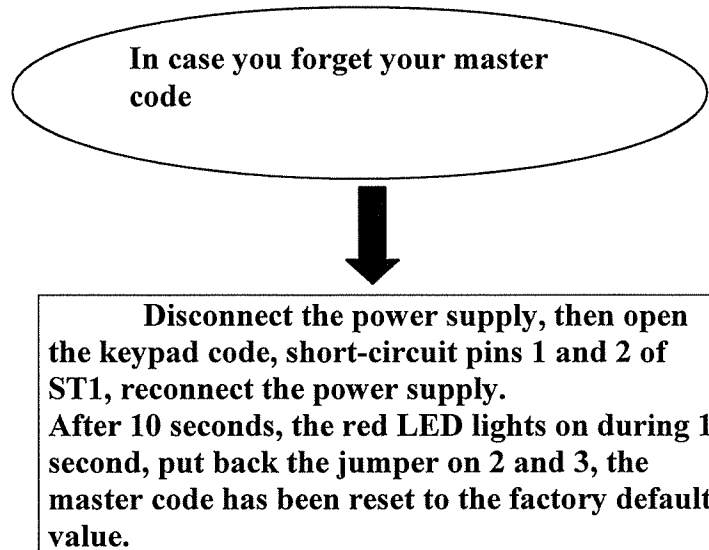
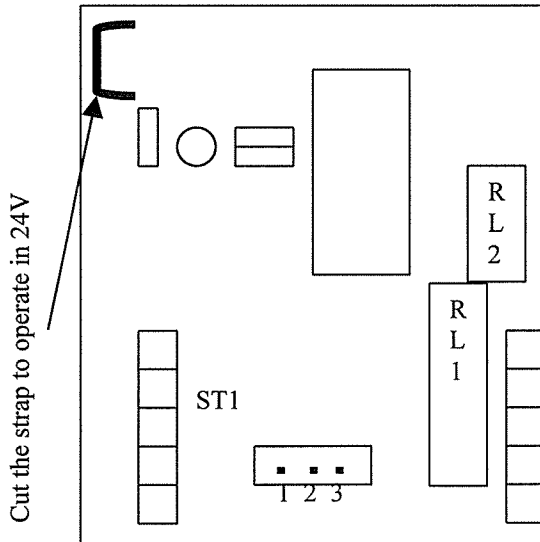


• To exit the programming mode, press the # key, the red LED lights off.

RESETTING THE MASTER CODE

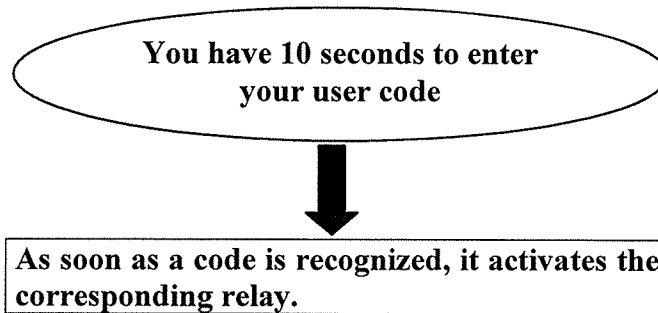
Master code : 12345

Note : User codes are still memorized



WARNING : This product operates on 12V AC or DC (with the wire not cut).
Cut the wire to operate the keypad on 24V AC or DC.

OPERATING MODE



NOTE : The 0 digit can be used as an external push button when a clock timer is connected to Terminals 2 & 3. When the timer is on, pressing 0 will activate relay 1.
Use relay 2 for another control, for example an alarm.

TECHNICAL SPECIFICATIONS

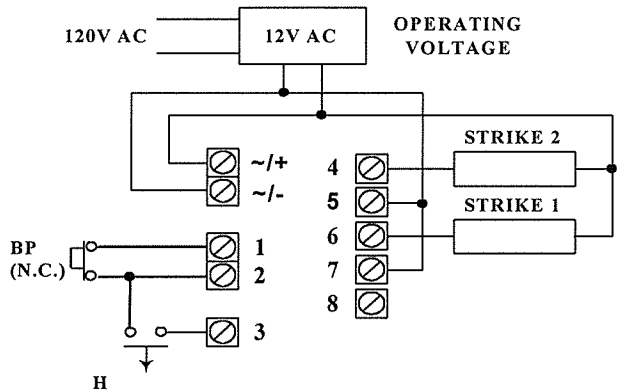
- Operating voltage 12V or 24V AC/DC
- Consumption :
 - rest : 10mA
 - maximum : 60mA in DC/ 100mA in AC
- Dimensions : 107 x 87 x 50 mm
- 2 LED's
- Protection IP 54
- Operating temperature : -20°C to +50°C
- 5-digit master code
- 50 user codes 2 relay outputs : 30 user codes for relay 1 (red LED)
20 user codes for relay 2 (green LED)
- Adjustable or latched output
- 2 relay outputs, 1 N/O & N/C contact, relay 1: 8 amps @ 250 V AC
1 N/O contact, relay 2: 6 amps @ 250 V AC
(NOTE: Do not use the latched output when powered by 24V)
- Time delay : from 01 to 99 seconds.
- Time delay in programming mode : 120 seconds (if there is no key pressed during 2 minutes, the keypad returns to the stand-by mode
- Time delay to key-in a user code : from 10 to 99 seconds

Wiring diagram

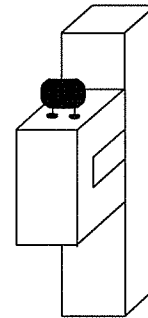
PIN'S FUNCTION

<p>~/+ 12V or 24V AC/DC</p> <p>~/-</p> <p>1 } BP/DOOR (NO) - INTERN</p> <p>2 } CONTACT (NO) - TIMER</p> <p>3 }</p>	<p>NOT DELIVERED WITH THE KEYPAD</p>	<p>4 CONTACT NO OF RELAY 2</p> <p>5 COMMON OF RELAY 2</p> <p>6 CONTACT NO OF RELAY 1</p> <p>7 COMMON OF RELAY 1</p> <p>8 CONTACT NC OF RELAY 1</p>
--	--	--

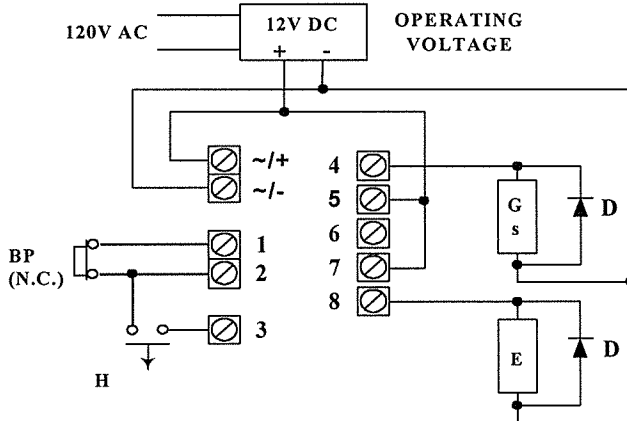
With standard strike use 12V or 24V AC/DC



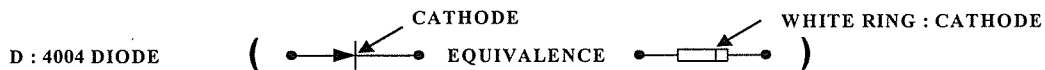
PROTECTION:
THIS KEYPAD COMES WITH A VARISTOR. THIS ONE MUST BE INSTALLED ON EVERY OPERATING STRIKE. THE VARISTOR WILL REMOVE ALL INTERFERENCE OR BACK EMF CAUSED BY THE STRIKE COIL.



WITH FAIL SAFE STRIKES, ELECTROMAGNETS AND STANDARD STRIKE USE 12 or 24V DC



PROTECTION:
PUT A 4004 DIODE TO THE STRIKE OR ELECTROMAGNET'S PINS, OBSERVING POLARITIES, TO PROTECT THE APPLIANCE AGAINST BACK EMF.



E : FAIL SAFE STRIKE OR ELECTROMAGNET

GS : STANDARD STRIKE 12V DC

H : TIMER CONTACT (OPTIONAL) - TYPE N/O

BP : REQUEST-TO-EXIT (OPTIONAL) - TYPE N/C