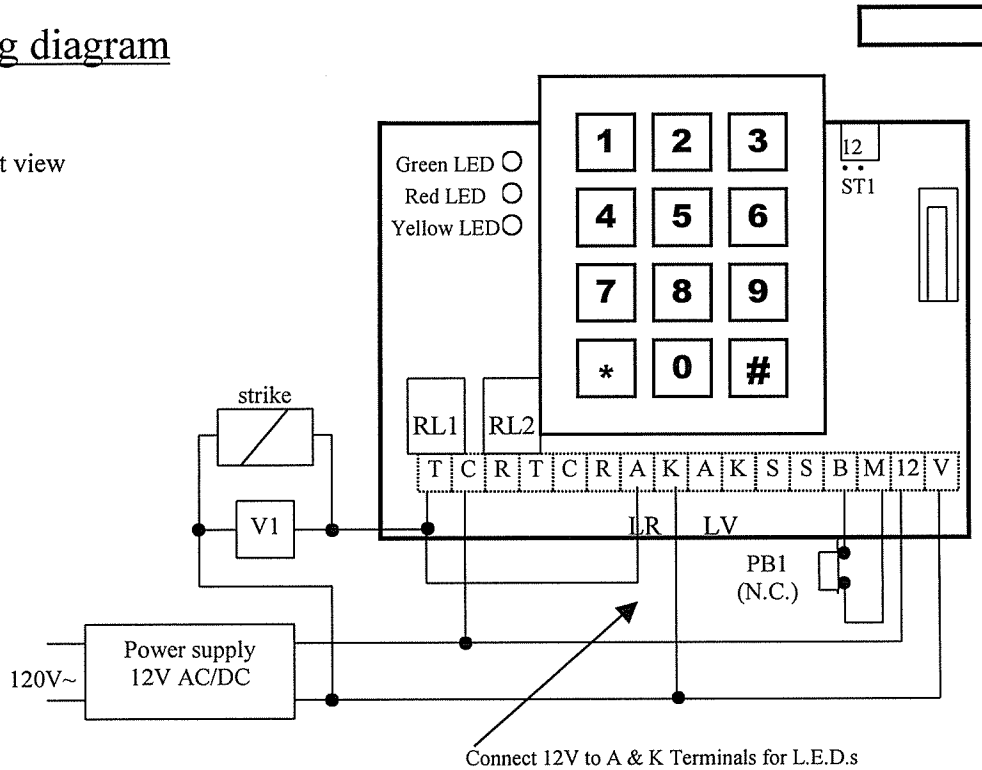


CM-19 AS/PS

DIGITAL KEYPAD 19 USER CODES

Wiring diagram

PCB front view



B	Request-to-exit input PB1	RL1	Relay 1
M	Common for BP1	RL2	Relay 2
R	N.C contact	12	Input voltage
C	Common	V	Input voltage
T	N.O contact	LR	Red LED (not connected) A + LED K - LED
S, S	Micro switch contact - closed if face plate on, - open without the face plate	LV	Green LED (not connected) A + LED K - LED
V1	Varistor		
ST1	Jumper for reset		

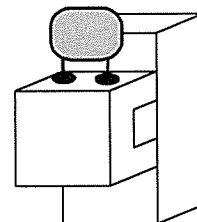
This device comes with a varistor.

The varistor must be connected to the strike terminal (electromagnet...) operated by the device.

If this keypad code is connected to more than one strike, each strike should have a varistor.

The varistor controls the overload produced by the strike coil – self-effect.

If you are using a « Shear Lock » electromagnetic lock, it is recommended to use a separate power supply than the one connected to the **CM-19**



Technical specifications

Input voltage	12 V AC ($\pm 15\%$) or 12 V DC (- 8%, +12%)
Consumption	Rest <5 mA, maximum <100 mA
Operating Temperature	- 20°C to +70°C, IP protection 43/5
Outputs	2 relays contact N.O & N.C 3A/125V~
User codes	10 user codes for relay 1 and 9 user codes for relay 2 (5 digit)
Master code	1 programmable master code (5 digit)
Input	Request-to-exit input (Must be Normally Closed)
Visual indicator	Yellow LED for programming mode, Red & Green LED not connected
Alarm output	1 micro switch contact closed when face plate installed
Keyboard	12-digit keypad with built-in buzzer (audible signal)

Default values

Master code:	00000
Relay time delay:	1 second in momentary output
Keypad key-in delay:	10 seconds available between key-in
Lockout delay:	30 seconds lockout after entering 3 consecutive wrong user codes

Audible signals

1 beep (short)	When pressing on a digit key
1 beep (long)	Validation of the master code, a user code or a time delay
2 beeps (short)	When entering or going out from the programming mode
4 beeps (short)	When entering a wrong master code, a wrong user code, a wrong time delay value or going over the keypad key-in delay

Request-to-exit

The request-to-exit button operates relay 1, RL1 (the mode and the time delay are programmable). The green LED is activated according to the time delay of relay 1, if this one is connected the N.O or N.C contact of relay 1.

Setting a new Master Code

1. Enter twice the master code (for the first use the default value is 00000). 2 beeps confirm that you are in programming mode.
2. Enter 00 then the 5 digit of the new master code. The yellow LED lights on and an audible beep indicates the validation of the code.
3. Press # to exit from the programming mode. 2 beeps confirm that you went back to the normal mode.
 - 4 beeps indicate a data error.
 - The # key can not be used as the first digit of a code.

Setting Time delays

1. Enter twice the master code (for the first use the default value is 00000).
2 beeps confirm that you are in programming mode.
2. Enter 21 for the delay of relay 1 or 22 for the delay of relay 2 then the time in seconds:
00 for a latched output,
01 for 1 second up to 99 for 99 seconds.
The yellow LED lights off during 1 second and 1 beep indicate the validation of the time delay.
3. Press # to exit from the programming mode. 2 beeps confirm that you went back to the normal mode.
 - 4 beeps indicate a data error.

Setting a User Code

1. Enter twice the master code (for the first use the default value is 00000).
2 beeps indicate that you have entered in programming mode.
2. Enter the user code position number to be programmed (01 to 19) then the 5-digit user code. The yellow LED lights off during 1 second and an audible beep indicate the validation of the code.
3. Press # to exit from the programming mode. 2 beeps confirm that you went back to the normal mode.
 - 4 beeps indicate a data error.
 - The digit # can not be used as a first digit of a user code.
 - The master code can not be used as a user code.
 - It is possible to program the same user code for the two groups and activate the two relays (each one with its time delay).

Canceling or replacing a user code

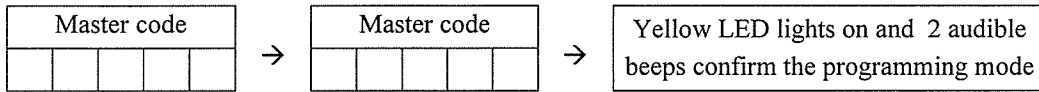
1. Enter twice the master code (for the first use the default value is 00000).
2 beeps indicate that you have entered in programming mode.
2. Enter the user code position number to be cancelled (01 à 19). Enter # to cancel or the 5 digit of the new user code to replace the old user code. The yellow LED lights off during 1 second and an audible beep indicates the validation of the new user code.
3. Press # to exit from the programming mode. 2 beeps confirm that you went back to the normal mode.
 - 4 beeps indicate a data error.
 - The # key can not be used as the first digit of user code.

Reset of the master code

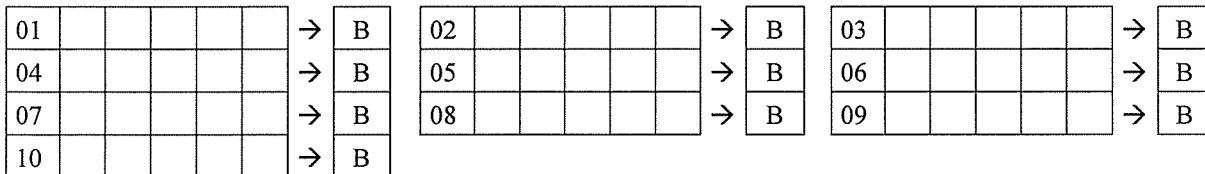
1. Put the jumper ST1 on 1-2.
2. The yellow LED lights on during 5 seconds. An audible beep confirms that the master code was put back to the factory default value 00000
3. Take off the jumper from 1-2 to go back to a normal mode.

Programming a user code

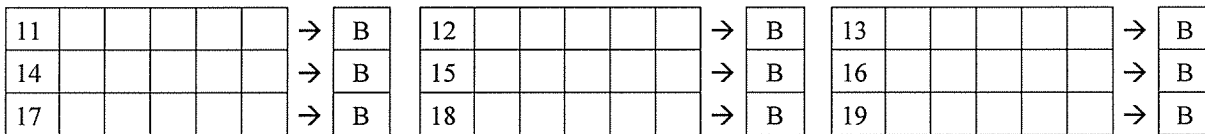
To enter in the programming mode (B = audible signal):



Group 1 (rank number from 01 to 10) activates relay 1



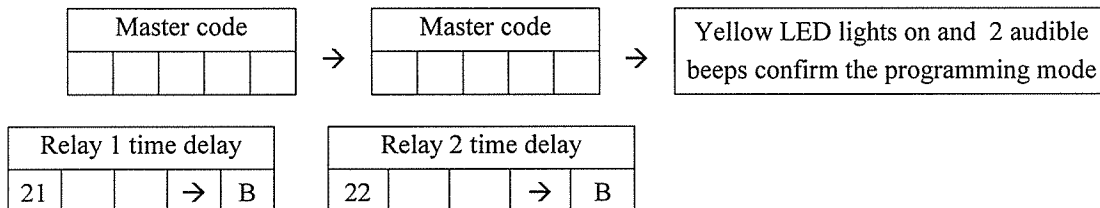
Group 2 (rank number from 11 to 19) activates relay 2



To exit from the programming mode press #. 2 beeps confirm that you went back to the normal mode

Setting a Time delay

To set a time delay enter in the programming mode (B = audible signal):



To exit from the programming mode press #. 2 beeps confirm that you went back to the normal mode

Supervisor's name:		Date
Building:		:
N° :	Street :	
City :		
Other information :		