



## *CM-8PS/SS*

### **TECHNICAL SPECIFICATIONS**

- . Operating voltage 12 V DC : -8% to +20%
- . Operating voltage 12V AC :  $\pm 15\%$
- . Consumption at rest < 5mA
- . Consumption maximum <100mA
- . Protection IP43/5
- . Operating temperature: -20°C to +70°C
- . Relay : 2 relays N/O & N/C contact 2 amp @ 24V
- . 1 tamper switch
- . 1 yellow LED activated :
  - Key-in
  - Programming mode
  - Data error in programming mode
- . 1 green LED lights on when relay 1 is activated
- . 1 red LED lights on when relay 2 is activated
- . Jumper to reset to the factory default values
- . 1 master code and 5-digit user code
- . Code and control relay modes safety in case of power cut
- . Security keypad time delay

### **FACTORY DEFAULT VALUES**

This keypad is set with the factory default values

Code 1 : 11111	EXIT RELAY 1	momentary output time	1 second
Code 5 : 22222	EXIT RELAY 2	momentary output time	1 second
Code 0 : 00000	Master Code		

## **SETTING A NEW MASTER CODE**

Enter twice 00000

Yellow LED lights on.

Press « 0 » and then the 5-digit new master code, the yellow LED lights off for 1 second.

Press the « □ » key to exit from the programming mode, the yellow LED lights off.

## **SETTING THE USER CODES**

Enter your master code twice, the yellow LED lights on.

Enter the code position number from 1 to 8, then the 5-digit code, the yellow LED lights off during 1 second.

Press on the □ key to exit from the programming mode, or another code position number, or 9 or Δ to enter a time delay.

\* Each time you key-in, the LED lights off to indicate the validation of the key.

\* Keypad: From « 0 » to « 9 » and « Δ »; « □ » (except first digit)

\* The yellow LED blinks when a data error occurs in programming mode

Master code can not be used as door opening code

## **SETTING TIME DELAY**

Enter your master code twice.

The yellow LED lights on

Press « 9 » for time delay of relay 1

Press « Δ » for time delay of relay 2

Enter « 00 » for a latched output

« 01 » to « 99 » for a momentary output time

The yellow LED lights off during 1 second.

Press the □ key to exit from the programming mode, 1 to 8 to enter a user code, 9 or Δ to enter a time delay.

• Each time you key-in, the LED lights off to indicate the validation of the key.

## **DELETE A USER CODE**

Enter your master code twice, the yellow LED lights on.

Enter the code position number from 1 to 8 according to the user code to delete.

Press the □ key, the yellow LED lights off for 1 second.

Press the □ key to exit from the programming mode,

The yellow LED lights off.

## **USER CODE GROUPS**

**GROUP 1 : From 1 to 4            RELAY 1    Green LED**

**GROUP 2 : From 5 to 8            RELAY 2    Red LED**

**\* A user code can be programmed into 2 groups to control simultaneously the 2 relays.**

**User Codes for relay RL1 – group 1 (01 to 04)**

01						02					
03						04					

**User Codes for relay RL2 – group 2 (05 to 08)**

05						06					
07						08					

## **SECURITY TIME DELAY**

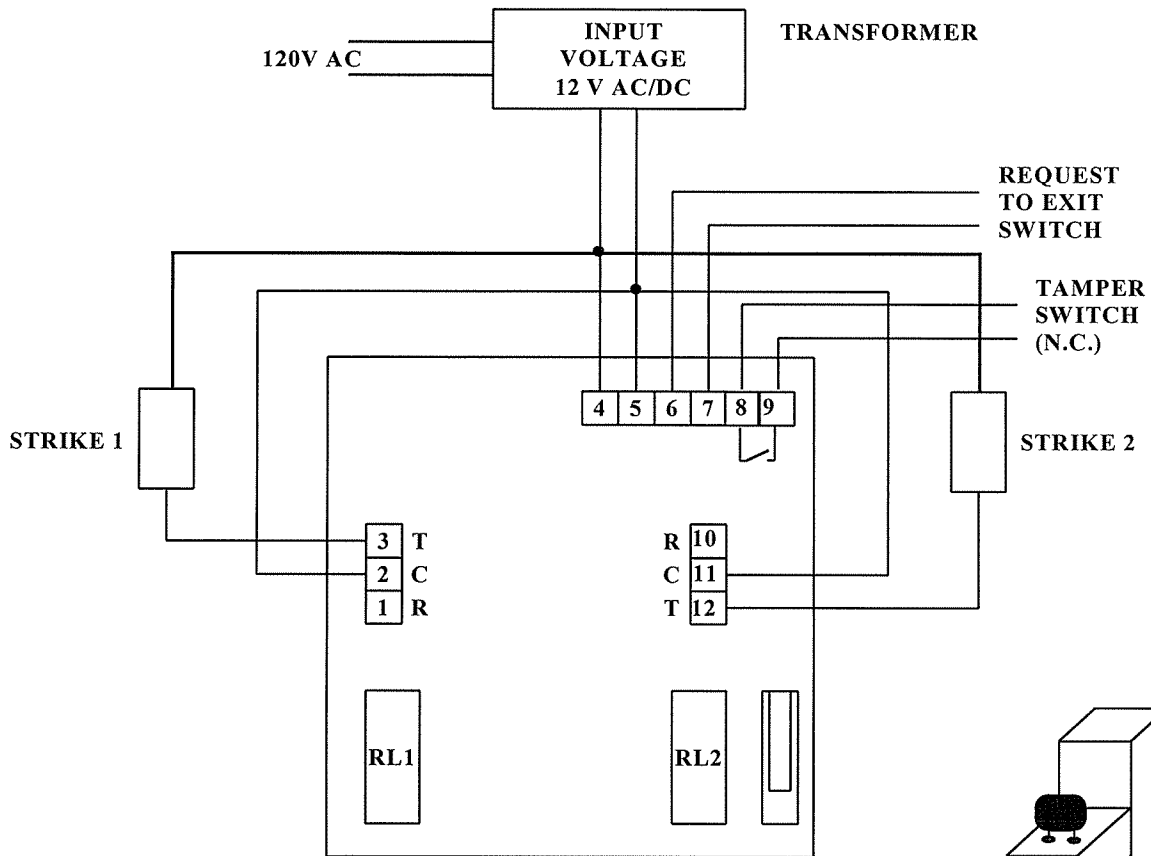
- . Delay between each number : 10 seconds maximum
- . Delay to exit programming : 60 seconds maximum
- . Lockout keypad : 30 seconds

## **GENERAL RESET**

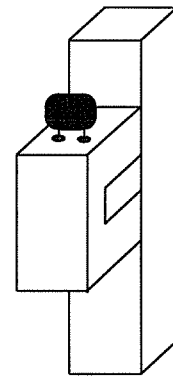
- . Cut the power supply of the keypad
- . Short- circuit with the jumper.
- . Put the power supply back for about 1 second. Remove the jumper
- . The keypad is reset to the factory default values.

## **NOTE**

**Each time you key-in, the LED lights off during 0.1 second to indicate the validation of the key. After 6 wrong code entries, the keypad jams for 30 seconds.**



**PROTECTION:**  
 THIS PRODUCT COMES WITH 2 VARISTORS. THEY MUST BE DIRECTLY INSTALLED ON EVERY STRIKE.  
 THE VARISTORS WILL REMOVE ALL INTERFERENCE OR ELECTROMAGNETIC FIELDS CAUSED BY THE STRIKE COIL.



**CONNECTION**

**TERMINAL N°**

- 1 N/C contact
- 2 Common
- 3 N/O contact
- 4 Power supply 12V
- 5 Power supply 12V
- 6 Request to Exit Switch Input
- 7 Request to Exit Switch Input
- 8 Tamper switch output (N.C.)
- 9 Tamper switch output
- 10 N/C contact
- 11 Common
- 12 N/O contact