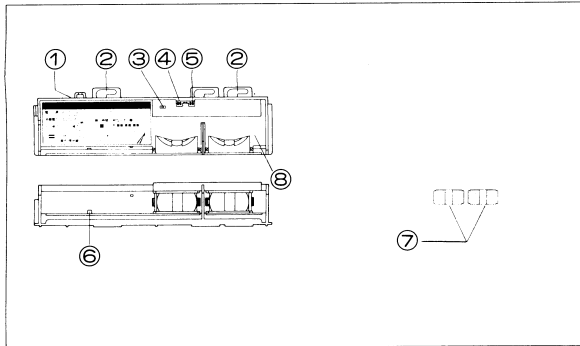
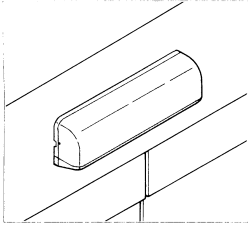


PRO SWING
ACTIVE INFRARED
PRESENCE SENSOR

OA-601CS (Silver)
OA-601CBL (Black)
OA-601CW (White)

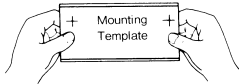
PATENT PENDING



1. PARTS IDENTIFICATION

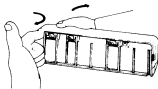
- ① Connector
- ② Screw Hole 4.9inch (125mm)
- ③ Presence Detection Timer (2 sec., 60 sec. or 180 sec.)
- ④ Frequency Switch (2 bit 4 channels)
- ⑤ Area Depth Adjust Switch
- ⑥ Power/Operating Indicator
- ⑦ Prism Lens (4 Pair Prism Lenses)
- ⑧ Lens Holder

2. MOUNTING AND WIRING

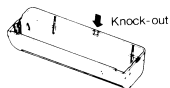


- ① Apply Mounting Template to transom and make holes.
(Be sure to read precautions on Mounting Template.)
* Screw hole $\phi 0.14$ inch ($\phi 3.5$ mm) (8-32inch screws).
* If concealed wiring is necessary, make another hole for wiring $\phi 0.31$ inch ($\phi 8$ mm).

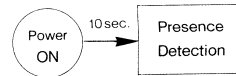
② Remove Mounting Template.



③ Separate Housing Cover from Sensor Body.

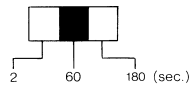


④ Fasten unit with mounting screws and connect wiring.
(For exposed wiring, remove the wire knock-out.)

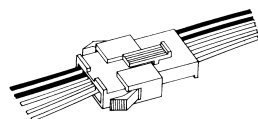


⑤ Upon application of power, it will initially only detect motion. After 10 sec. it will detect presence.

⑥ Adjust Detection Area.
See "ADJUSTING THE DETECTION AREA" and "INSTALLATION HINTS".



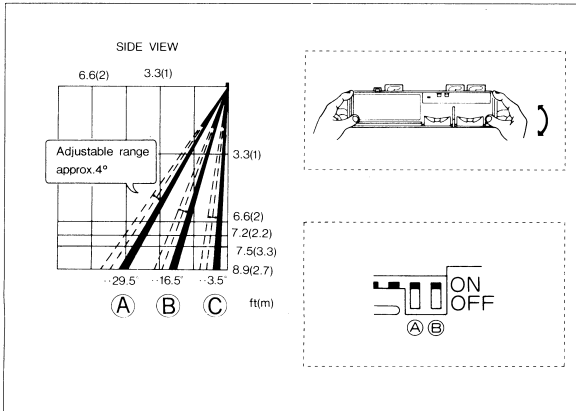
⑦ Change Presence Detection Period by adjusting Presence Detection Timer. Presence Detection Period is adjustable for 2sec., 60 sec. or 180sec..



(WIRING)

- Grey — Power Supply
- Grey — 12~24V AC/DC
- White — COM
- Yellow — N.O.
- Green — N.C.

3. ADJUSTING THE DETECTION AREA



① AREA DEPTH ADJUSTMENT

A/B/C = Presence detection area

Adjustable range approx. 4°

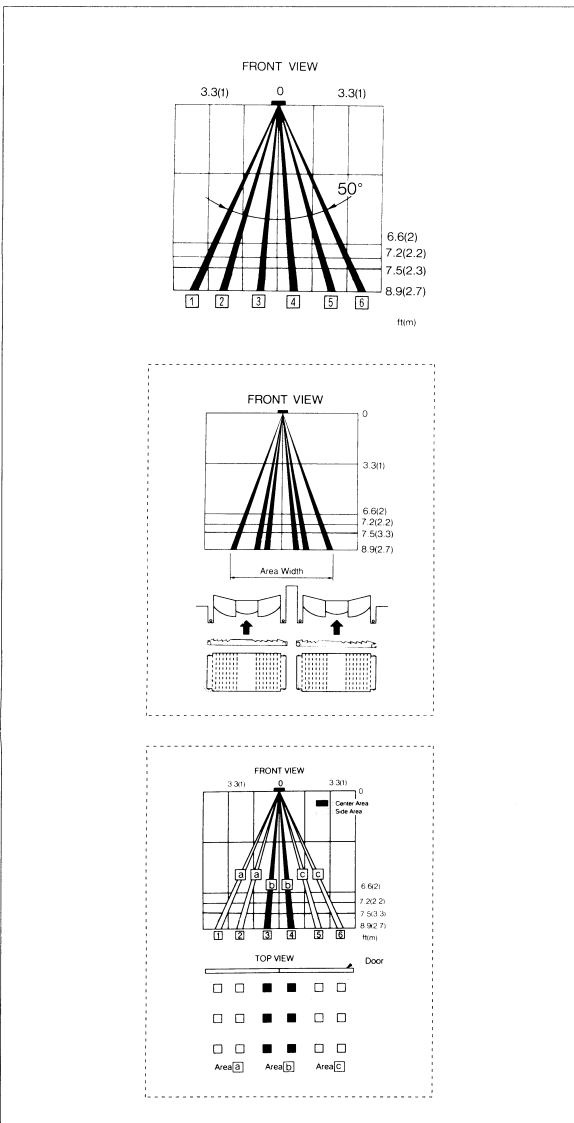
How to adjust angle of detection area

Push upper edges or lower edges of Lens Holder.

How to eliminate area A and/or B

To eliminate area A and/or B, turn off Area Depth Adjust Switch.

Use proper prism lens and mount unit at the requested height to assure proper pattern for ANSI 156. 10 compliance



② AREA WIDTH ADJUSTMENT

Area width can be easily adjusted by using Prism Lens or Area Adjusting Masking.

Using Prism Lens to narrow the detection area

- 4 unique pair of Prism Lenses are provided in each box.
- Choose the Prism Lens pair according to the door's width. (See following chart)

Make sure that the 2 Prism Lenses selected have the same marking. (●, ▲, ■, ♥)

- Be sure to install the Prism Lenses so that the unmarked side faces the Primary Lenses.
- Be sure to install both of the selected Prism Lenses.

(NOTICE)

ex. Mounting Height 7.2ft

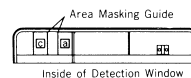
To find the correct mounting location for a 36" (42") door, measure 15.6" (18.6") from leading edge (latch side) toward the door's center. Do not place in center of single door, because sensor may be misactivated. Place the mounting template's center line over your mark.

[ft(mm)]

Mounting Height	Door width : 42inch		Door width : 36inch	
	● Double door	▲ Single door	■ Double door	♥ Single door
7.2(2190)	6.36(1940)	3.22(980)	5.38(1640)	2.72(830)
7.5(2290)	6.53(1990)	3.35(1020)	5.54(1690)	2.85(870)

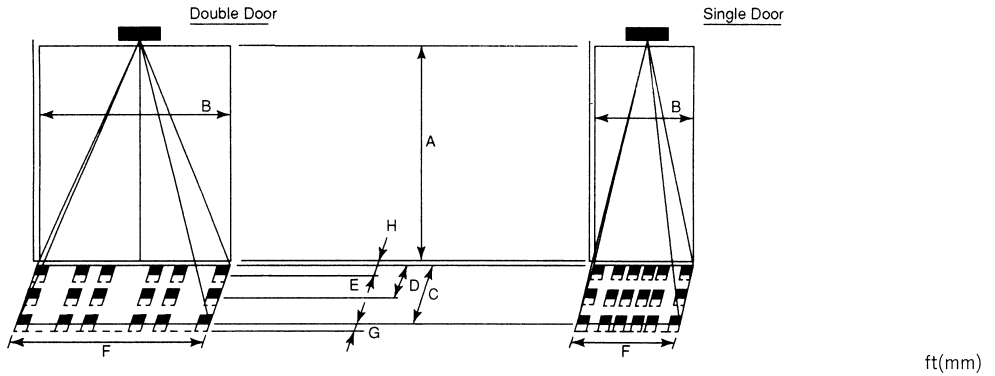
Using Area Adjusting Masking to eliminate side area

- (1) To eliminate Area a, apply Area Adjusting Masking on a position of inside of Detection Window.
- (2) To eliminate Area c, apply Area Adjusting Masking on c position of inside of Detection Window.



REMARKS : Avoid using Prism Lens and Area Adjusting Masking together.

4. DETECTION AREA CHART



A	Mounting Height	7.2(2190)				7.5(2290)			
	Correct Prism	▲	●	♥	■	▲	●	♥	■
B	Door Width	42"(single)	42"×2(double)	36"(single)	36"×2(double)	42"(single)	42"×2(double)	36"(single)	36"×2(double)
C	Area Depth	3.94(1200)				4.1(1250)			
D	Area Depth	1.97(600)				2.03(620)			
E	Area Depth	0.23(70)				0.24(73)			
F	Area Width	3.22(980)	6.36(1940)	2.72(830)	5.38(1640)	3.35(1020)	6.53(1990)	2.85(870)	5.54(1690)
G	Adjustable Range	0.72(220)				0.75(230)			
H	Distance from Mounting Surface	0.30(90)				0.31(93)			

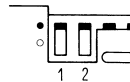
5. INSTALLATION HINTS

Mounting height 8.9ft (2.7m)max.

Avoid placing swaying objects such as posters, curtains and potted plants in the detection area.

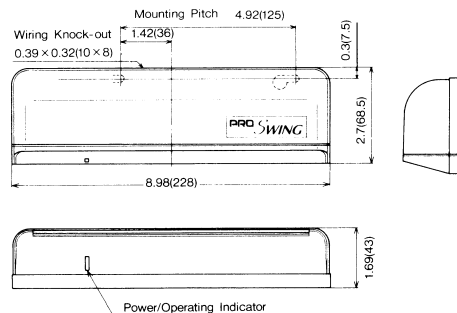
Do not use without the Housing Cover.

When the detection area is adjusted after power-up, OA-601 will sense presence and hold the door open for the specified presence detection period (2 sec., 60 sec., or 180 sec.). When the timer period expires, the door will close.



Change the Frequency Switch when the detection area of another sensor is overlapping. 4 Frequency Combinations are available with the use of 2 channel Frequency Switch.

6. EXTERNAL DIMENSIONS



[inch(mm)]

7. TROUBLE SHOOTING

No operation	Intermittent operation	Operation when there is no person within area
① Disconnection ⇒ Check wiring and correct to normal. ② Unsuitable voltage (Low voltage) ⇒ Use rated voltage.	① Detection window is covered with dust, water drops, etc.. ⇒ Clean it with soapy water. (Do not wipe it with thinner, benzine or alcohol.)	① Swaying objects within area ⇒ Adjust area or remove the object. ② Strong EMI source in area ⇒ Keep the source away from door. ③ Activation by dogs or cats ⇒ Normal ④ The detection area of another sensor is overlapping. ⇒ Change the Frequency setting. ⑤ The floor within area became dirty. ⇒ A footprint or object of some kind was put on the floor within the area and the door remains open due to an increased presence detection time. If this happens, simply reduce the presence timer to 2 sec..

8. SPECIFICATIONS

Detection Range	8.86ft (2.7m) Max.
Detection Area	See the chart
Detection Method	Near Infrared Reflection Method
Power Input	12~24 V AC/DC
Current Draw	120mA Max. (at 12V DC)
Power/Operating Indicator	LED ON when stand by LED OFF when detecting
Output Contact	Form C Relay 50V 0.3A (Resistive Load)
Output Hold	0.5 sec. Delay
Operating Temperature	-20°C ~ +55°C (-4°F ~ +131°F)
Weight	260g (9.2oz)
Accessories	2m Wire with Plug, 2 Mounting Screws, Mounting Template, 4 Pair Prism Lenses.

* Specification subject to change without prior notice.



OPTEx CO., LTD. (ISO 9001 Certified by LRQA)
 4-7-5 Nionohama Otsu 520 Japan
 TEL +81(77)524-1900 FAX +81(77)524-3201

OPTEx AMERICA, INC.
 1845W, 205th Street Torrance, CA 90501-1510 U.S.A.
 TEL(310)533-1500 FAX(310)533-5910 Toll-Free 800-96-OPTEX(800-966-7839)

OPTEx (EUROPE) LTD. (ISO 9002 Certified by NQA)
 Clivemont Road Cordwallis Park Maidenhead Berkshire SL6 7BU U.K.
 TEL(01628)31000 FAX(01628)36311